

**CENTER OF INNOVATIVE & APPLIED**  
**BIOPROCESSING**  
**DEPARTMENT OF BIOTECHNOLOGY**  
**(Govt. of India)**  
**Knowledge City, Sector-81, Mohali**

**TENDER DOCUMENT**



**Provision of Centralized Gas pipeline in Lab building at Main Campus, CIAB, Knowledge City, Sector-81, Mohali.**

## **CENTER OF INNOVATIVE & APPLIED BIOPROCESSING**

(Dept. of Biotechnology)  
Knowledge City, Sector-81, Mohali. (Pb)  
Website: [www.ciab.res.in](http://www.ciab.res.in)

### **Notice Inviting Tender (NIT)**

CIAB/7(79)/2019- Works

**Name of Work: - Provision of Centralized Gas pipeline in Lab building at Main Campus, CIAB, Knowledge City, Sector-81, Mohali.**

Sealed item rate tender online e-tender is invited on behalf of the Chief Executive Officer, Centre of Innovative & Applied Bioprocessing (CIAB), Mohali for the work of “- **Provision of Centralized Gas pipeline in Lab building at Main Campus, CIAB, Knowledge City, Sector-81, Mohali.**” as per terms and conditions provided in the tender document.

The tender document may be purchased directly from the office of CIAB, Mohali, by paying Rs. 590/- in cash as cost of tender document or website of CIAB [www.ciab.res.in](http://www.ciab.res.in) or **E-Central Public Procurement portal (<https://eprocure.gov.in/eprocure/appin>)** in which case the fee in the form of a Demand draft of Rs. 590/- (Rupees Five Hundred Ninety Rupees only) in favour of Center of Innovative & Applied Bioprocessing payable at Mohali., shall be payable as cost of tender document. **Both the bids i.e., the Technical & Financial bids, must be submitted on or before 16<sup>th</sup> January 2020 (up to 3.00 PM), along with the appropriate EMD as per below mentioned schedule:**

1.	<b>Issue/download of Tender documents</b>	From 27 <sup>th</sup> December 2019
2.	<b>Last date and time for submission of sealed Tender</b>	16th January 2020 (up to 3.00 PM)
3.	<b>Date &amp; time of opening of technical bid</b>	17th January 2020 at 3.30 PM
4.	<b>Earnest Money Deposit</b>	Rs 45,403/-
5.	<b>Time for Completion of Work</b>	12 weeks from period specified in tender document

**NOTE: Only online e-tenders shall be accepted. The bids are to be submitted on E Central Public Procurement portal (<https://eprocure.gov.in/eprocure/app>). Bids received by offline mode/FAX/email will be summarily rejected**

The Chief Executive Officer, CIAB reserves the right to accept/reject any tender in part or full without assigning any reason.

**Administrative Officer**

## **CENTER OF INNOVATIVE & APPLIED BIOPROCESSING**

**(Dept. of Biotechnology)**  
**Knowledge City, Sector-81, Mohali. (Pb)**  
Website: [www.ciab.res.in](http://www.ciab.res.in)

### **TENDER NOTICE**

**Tender No. CIAB/7(79)2019- Works**

1.0 Sealed item rate tenders are invited on behalf of the Chief Executive Officer, CIAB from agencies who have executed similar works with Central govt/State govt. /Autonomous bodies, University, Institutes of Central/State Govt./PWDs/MES/HUDA/PUDA/CPWD/PSUs for the work of - **Provision of Centralized Gas pipeline in Lab building at Main Campus, CIAB, Knowledge City, Sector-81, Mohali.**

1.1 The work is estimated to cost **Rs. 22,70,119/-** (INR Twenty-two Lacs Seventy Thousand One Hundred Nineteen rupees only inclusive of taxes & labour cess etc). This estimate, however, is given merely as a rough guide.

1.2 The following basic technical eligibility criterion is mandatory for bidders. Failure to submit shall mean to disqualification: -

1.2.1 Bidder having experience (successfully completed) **in similar works** during the last 07 years in Government sector as described above. (Ending last day of the month previous to the one in which applications are invited) as per following criteria: -

**Three similar completed works, costing not less than the amount equal to 40% of the estimated cost put to tender.**

**OR**

**Two similar completed works, costing not less than the amount equal to 60% of the estimated cost put to tender.**

**OR**

**One similar completed work of aggregate cost not less than the amount equal to 80% of the estimated cost put to tender.**

1.2.2. **Average annual financial turnover on construction works should be at least 50% of the estimated cost put to tender during the immediate last three consecutive financial years.** Copies of duly attested statement (for last 03years) by Chartered Accountant should be provided.

1.2.3 **The bidder should have Employees Provident Fund enlistment.** No self-certification / undertaking by bidders shall be entertained.

1.2.4 The tender fee and earnest money deposit as per mentioned in tender document.

1.2.5 **The bidder should not have incurred any loss (profit after tax should be positive) in more than two years during available last five consecutive balance sheet, duly audited and certified by the Chartered Accountant.**

1.2.6 **Solvency of the amount equal to 40% of the Estimated Cost put to tender.**

For the purpose of this clause 'Similar work' means the work of **provision of centralized gas pipeline, laying of gas pipeline with manifold and other accessories as mentioned in criteria no 1.0.**

Department reserves the right to ask contractor for detailed schedule of quantities (BOQ) authenticated by concerned Government department to ascertain the scope of work done, in case, there is any doubt. Contractor shall fully co-ordinate in providing such documents/details.

**Note:** -The Tenderer shall produce definite proof from the appropriate authority, which shall be to the satisfaction of the competent authority, CIAB of having satisfactorily completed similar works of magnitude specified above. Completion Certificates to be enclosed.

2. Agreement shall be drawn with the successful tenderer on prescribed format by the Competent Authority. Tenderer shall quote his rates as per various terms and conditions laid down in the tender document.

3. The time allowed for carrying out the work will be **12 weeks** as defined in schedule 'F' or from the first date of handing over of the site, whichever is later, in accordance with the phasing, if any, indicated in the tender documents.

NOTE: - The scanned documents should be clear and readable. In case, the documents are found non-readable or in-complete (half scanned/without signatures/stamp etc), the same shall not be considered for evaluation. Bidders to do compliance accordingly.

Bidders are advised to upload only relevant documents pertaining to cited work to avoid wastage of stationary, resources of department.

#### **4. The site for the work is available.**

5.(i)Tender documents will be issued from the office of CIAB, Mohali from 27<sup>th</sup> December 2019 to 16<sup>th</sup> January 2020 up to 11:00 am, on payment of Rs.590/- as cost of tender OR or Central public procurement portal ([eprocare.gov.in](http://eprocare.gov.in)) and is to be accompanied with a DD of Rs.590/- (Rupees Five Hundred Ninety Rupees only) in favour of of Center of Innovative & Applied Bioprocessing payable at Mohali as cost of tender documents.

(ii)Tender forms, NIT and all the Tender documents consisting of plans, specifications, the schedule of quantities of the works to be done and the set of terms & conditions of contract to be complied with by the contractor whose tender may be accepted and other necessary documents can be seen in the office of CIAB, Mohali on all working days between 10:00am to 5:00pm.

(iii)Tenders shall be accompanied with tender cost of Rs.590/- in the form of Demand Draft in favour of of Center of Innovative & Applied Bioprocessing payable at Mohali.

(iv)Tenders shall be accompanied with Earnest money of Rs 45,403/-in cash (up to Rs.5000/-)/Receipt Treasury Challan/Deposit at Call receipt of a scheduled bank/fixed deposit receipt of a scheduled bank/demand draft of a scheduled bank issued in favour of of Center of Innovative & Applied Bioprocessing payable at Mohali.

(v) **Submission of Tender-** The tender should be submitted in the envelopes as detailed below:

#### **1. Envelope -1 marked as Technical Bid containing the following-**

a) Scanned Copy of Demand draft of Rs. 590/- or cash receipt in case of issue from CIAB office as cost of tender documents or MSME firms registered in NSIC under PP policy.

- b) Scanned Copy of EMD Rs 45,403/ in the prescribed format (i.e., DD/cash receipt, as the case may be) or MSME firms registered in NSIC under PP policy.
- c) Scanned Copy of Documents related to eligibility criteria i.e., Completion certificates/proofs of the similar works completed.
- d) Scanned Copy of Tender Acceptance Letter.
- e) Scanned Copy of Average annual financial turnover statement for last 03 consecutive years duly attested by Chartered Accountant and profit and loss statement.
- f) Scanned Copy of EPF enlistment/registration.
- g) Scanned Copy of Solvency Certificate

## 2. Financial/Price Bid containing the following-

This shall contain the price for the execution of the works specified in the Volume-2 of the tender document in Excel format

**Note: -**

- a) Documents to be uploaded in pdf format only (except price bid, which should be in excel format only).**
- b) The original payment instrument like Demand Draft of any Nationalized Bank against Earnest Money and Cost of Tender Form should sent to the address- Centre of Innovative and Applied Bioprocessing Sector-81, knowledge City, PO- Manauli, SAS Nagar Mohali 140306, Punjab by post/speed post/courier/by hand before bid opening date & time.**

6. a) The contractor whose tender is accepted will be required to furnish performance guarantee of **5% (Five Percent)** of the tendered amount within the period specified in Schedule 'F'. This guarantee shall be in the form of cash (in case guarantee amount is less than Rs. 5000/-) or Deposit at Call receipt of any scheduled bank/Banker's cheque of any scheduled bank/Demand Draft of any scheduled bank/Pay order of any scheduled bank (in case guarantee amount is less than Rs. 1,00,000/-) or Government Securities or Fixed Deposit Receipts or Guarantee Bonds of any Scheduled Bank or the State Bank of India in accordance with the prescribed form. In case the contractor fails to deposit the said performance guarantee within the period as indicated in Schedule 'F'. including the extended period if any, the Earnest Money deposited by the contractor shall be forfeited automatically without any notice to the contractor.

Upon submission of performance bank guarantee, the EMD submitted by contractor shall be returned.

b) Upon award of work, contractor shall within **07 days sign the indemnity bond** (performa prescribed at the end of tender document) for supply of minor materials and against violation of labour laws, other State/Central Acts/norms as amended from time to time, accidents, damages etc thus indemnifying CIAB from negligence, loss of life/property, disputes, claims, violation arising out of the work due to contractor/his partner/workers/sub-contractors etc. CIAB shall have authority to take suitable action against contractor both financially as well as legally depending upon the violation by contractor/his partner/workers/sub-contractors etc.

8. The description of the work is as follows:

**Provision of Centralized Gas pipeline in Lab building at Main Campus, CIAB, Knowledge City, Sector-81, Mohali** Tenderers are advised to inspect and examine the site, external development area of campus and satisfy themselves before submitting their tenders as to the type of system (so far as is practicable), the form, wastage of material and nature of the site, the means of access to the site, the accommodation they may require and in general shall themselves obtain all necessary information as to risks, contingencies and other circumstances which may influence or affect their tender. A tenderer shall be deemed to have full knowledge of the site whether he inspects it or not and no extra charge consequent on any misunderstanding or otherwise shall be allowed.

The tenderer shall be responsible for arranging and maintaining at his own cost all materials, tools & plants, facilities for workers and all other services required for executing the work unless otherwise specifically provided for in the contract documents. Submission of a tender by a tenderer implies that he has read this notice and all other contract documents and has made himself aware of the scope and specifications of the work to be done and local conditions and other factors having a bearing on the execution of the work.

9. The Competent Authority does not bind itself to accept the lowest or any other tender and reserves to itself the authority to reject any or all the tenders received without the assignment of any reason. All tenders in which any of the prescribed condition is not fulfilled or any condition including that of conditional rebate is put forth by the tenderer shall be summarily rejected.

10. Canvassing whether directly or indirectly, in connection with tenderers is strictly prohibited and the tenders submitted by the contractors who resort to canvassing will be liable to rejection.

11. The tender for the works shall remain open for acceptance for a period of **seventy five (75) days** from the receipt of bid in case tenders are invited on 2 envelop system (as per CPWD manual 2019 Clause 4.14) (strike out as the case may be) if any tenderer withdraws his tender before the said period or issue of letter of acceptance, whichever is earlier, or makes any modifications in the terms and conditions of the tender which are not acceptable to the department, then the Institute shall, without prejudice to any other right or remedy, be at liberty to forfeit 100% of the said earnest money, as aforesaid. Further the tenderer shall not be allowed to participate in the retendering process of the work.

12. This Notice Inviting Tender shall form a part of the contract document. The successful tenderer/contractor, on acceptance of his tender by the Accepting/Competent Authority shall within 15 days sign the contract agreement consisting of: -

a) The Notice Inviting Tender, all the documents including financial bid, additional conditions, specifications and drawings, if any, forming the tender as issued/downloaded at the time of invitation of tender and acceptance thereof together with any correspondence leading thereto.

b) Tender form.

**Note: - No payment for the work done will be made unless contract is signed by the contractor.**

14. No price preference to any corporate society/Registered society, Govt. Public Sector undertakings / bodies shall be given and tenders shall be exclusively dealt with on merit.

15. The contractor shall comply with the provisions of the Apprentices Act 1961, minimum wages Act 1948, Workmen's compensation Act 1923, contract labour (Regulation and Abolition Act 1970), payment of wages Act 1938, Employer's liability Act 1938, Maternity Benefits Act 1961, Employee's State Insurance Act, 1948, Employees Provident Fund Act, 1952 and the Industrial Disputes Act 1947, ESI Act as applicable and the rules and regulations issued there under and by the local Administration/ Authorities from time to time as well all provisions of law applicable to workmen. Failure to do so shall amount to breach of the contract and the Engineer-in-Charge may at his discretion terminate the contract. The Contractor shall also be liable for any pecuniary liability arising on account of violation by him of any of the said Acts and shall indemnify the Institute on that account. Institute will not be liable for any act or omission on the part of the contractor in so far as any violation of any of the aforementioned acts.

16. Each tenderer shall submit only one tender; either by him or as partners in a joint venture. A tenderer who submits or participates in more than one tender will be disqualified.

17. Unless otherwise stated, the contract shall be for the whole work as described in the "Schedule of items/quantities of Works" and the drawings. The contractor shall be bound to complete the whole work as

described in the schedule of items of works and the drawings, including additional items, if any, as per drawings and instructions. The certificate of completion to be recorded by the Engineer-in-Charge shall be mandatory and will be conclusive proof of completion of work.

18. Interpretations, corrections and changes to the Tenders Documents shall be made by Addendum, if required.

19. Each Tenderer shall ascertain prior to submitting his Tender that he has received all Addenda issued and he shall so acknowledge their receipt in his Tender.

20. The provisions in the Tender documents shall govern over the contents of the above paragraphs if in contradiction or variation.

23. All pages of the Tender should be page numbered.

24. It is the responsibility of tenderer to go through the tender document to ensure furnishing all required documents in addition to above, if any.

25. The authorized signatory of the tenderer must sign the tender duly stamped at appropriate places and initial all the remaining pages of the tender.

26. A tenderer, which does not fulfill any of the above requirements and/or gives evasive information/reply against any such requirement, shall be liable to be ignored and rejected.

27. Tender sent by fax/telex/electronically shall be ignored.

28. CIAB reserves the right to increase or decrease the scope of work.

29. Bidder shall be responsible for supply, installation, testing and commissioning of Gas lines, Area valve service units, works, demolition and construction as applicable. The bidders are advised to survey the site before furnishing the quotations.

30. Bidder shall execute all required civil, electrical, and other works as maybe required for complete installation and trouble-free functioning as a part of the centralized Gas pipeline.

31. The bidder shall be responsible for the complete works including the submission of working Drawings, and isometric views. Bidder shall be responsible for supply, installation, testing and commissioning of gas pipeline. Bidder shall be responsible for free maintenance of Gas pipeline system, other valves and manifolds during defect liability period of 03 years.

32. Bidder should provide factory test certificates for the materials used and also supply complete set of final lay out, safety manual, standard operating manuals for the whole systems and subsystems to be supplied. The detail site plan and system layout plan including civil/electrical work or other related works shall be prepared by the supplier and shall be handed over. Final electrical safety test, system commissioning test, and calibration should be done by authorized persons using calibrated test equipment as per standards.

**TENDER FORM**

**CENTER OF INNOVATIVE & APPLIED BIOPROCESSING**

**Item Rate Tender & Contract for Works**

**Name of work: - Provision of Centralized Gas pipeline in Lab building at Main Campus, CIAB, Knowledge City, Sector-81, Mohali**

**Owner: Chief Executive Officer, CIAB**

**Tender Issued to\*:** \_\_\_\_\_  
\_\_\_\_\_

Signature of officer issuing the documents\*: \_\_\_\_\_

Designation\*: \_\_\_\_\_

Date of Issue\*: \_\_\_\_\_

\*Not to be filled if tender is downloaded from website.

**Estimated Cost: - Rs. 22,70,119/-**

**Security Deposit from RA bills: - @ 2.5% from bills**

**Performance Guarantee: - @ 5% of tendered value**

**Earnest Money: - Rs 45,403/-**

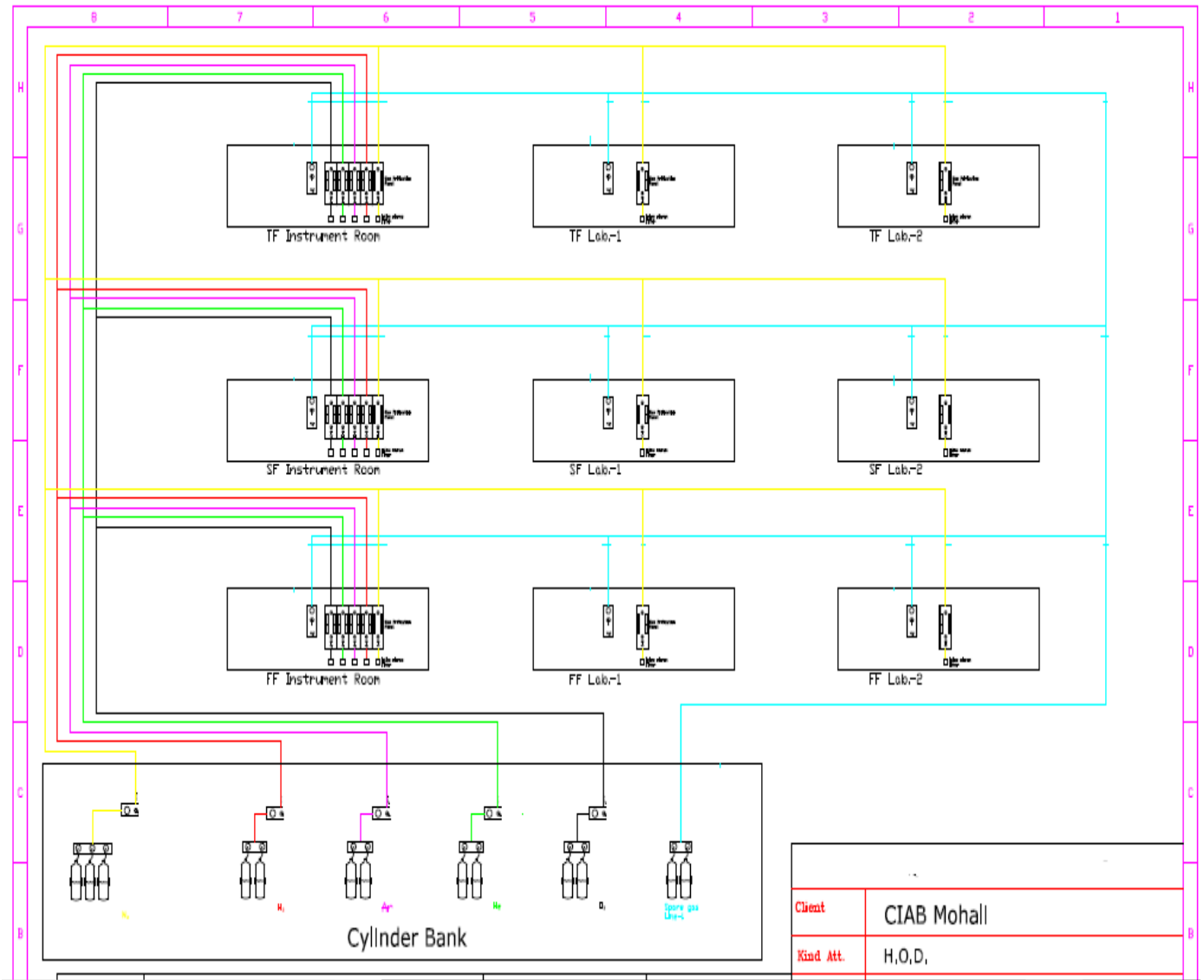
**Completion Period: - 12 weeks from the time period mentioned in NIT**

**Place of opening of tender document: - CIAB, Sector-81, Mohali**

**COST OF TENDER DOCUMENT: Rs. 590.00 (Non-refundable)**



# TENDER DRAWING



Client	CIAB Mohall
Kind. Att.	H.O.D,

**TENDER ACCEPTANCE LETTER**

**To**

**The Chief Executive Officer  
CIAB, Mohali, Punjab, India**

Dear Sir,

**I/We have read and examined the following Tender Documents relating to the work of Provision of Centralized Gas pipeline in Lab building at Main Campus, CIAB, Knowledge City, Sector-81, Mohali.**

- General Conditions
- Instructions to bidders
- General Information
- Specific condition of contract
- Terms and Conditions of Contract Agreement
- Technical specification and Bill of Quantities
- Price Bid

I/We hereby offer to execute the work complete in all respects specified in the underwritten Memorandum within the time specified therein at the rates specified in the bill of Quantities and in accordance, with the specifications, designs, drawings and instructions in writing referred to in the conditions of tender.

I/We hereby certify that I/We had read the entire terms and conditions of the tender documents (including all documents like annexure(s), schedule(s), etc.) which form part of the contract agreement and I/We shall abide hereby by the terms/conditions/clauses contained therein. The corrigendum(s) issued from time to time by your department/organization too have also been taken into consideration, while submitting the acceptance letter. I/ We hereby unconditionally accept the tender conditions of above-mentioned tender document(s) in its totality/entirety. In case any provision of this tender is found violated, then your department/organization shall without prejudice to any other right or remedy be at liberty to reject this tender/bid including the forfeiture of the full said earnest money deposit absolutely.

**Tenderer's Signature and Seal**

**Postal Address**

**DATED:**

**Witness:**

**Address:**

**Occupation:**

## **General Rules & Directions**

1. All work proposed for execution by contract will be notified in a form of invitation to tender pasted in public places and signed by the officer inviting tender or by publication in Newspapers or posted on website as the case may be.

This form will state the work to be carried out, as well as the date for submitting and opening tenders and the time allowed for carrying out the work, also the amount of earnest money to be deposited with the tender, and the amount of the security deposit and Performance guarantee to be deposited by the successful tenderer and the percentage, if any, to be deducted from bills. Copies of the specifications, designs and drawings and any other documents required in connection with the work signed for the purpose of identification by the officer inviting tender shall also be open for inspection by the contractor at the office of officer inviting tender during office hours.

2. In the event of the tender being submitted by a firm, it must be signed separately by each partner thereof or in the event of the absence of any partner, it must be signed on his behalf by a person holding a power-of attorney authorizing him to do so, such power of attorney to be produced with the tender, and it must disclose that the firm is duly registered under the Indian Partnership Act, 1952.

### **3. Applicable for Percentage Rate Tender only (CPWD-7)**

A) In case of Percentage Rate Tenders, contractor shall fill up the usual printed form, stating at what percentage below/above (in figures as well as in words) the total estimated cost given in Schedule of Quantities at Schedule-A, he will be willing to execute the work. The tender submitted shall be treated as invalid if: -

1. The contractor does not quote percentage above/below/at par on the total amount of tender or any section/sub head of the tender.
2. The percentage above/below is not quoted in figures & words both on the total amount of tender or any section/sub head of the tender.
3. The percentage quoted above/below is different in figures & words on the total amount of tender or any section/sub head of the tender.

Tenders, who propose any alteration in the work specified in the said form of invitation to tender, or in the time allowed for carrying out the work, or which contain any other conditions of any sort including conditional rebates, will be summarily rejected.

3B. In case the lowest tendered amount (estimated cost +/- amount worked on the basis of percentage above/below) of two or more contractors is same, such lowest contractors will be asked to submit sealed revised offer in the form of letter mentioning percentage above/ below on estimated cost of tender including all sub sections/sub heads as the case may be, but the revised percentage quoted above/below on tendered cost or on each sub section/ sub head should not be higher than the percentage quoted at the time of submission of tender. The lowest tender shall be decided on the basis of revised offers.

In case any of such contractors refuses to submit revised offer, then it shall be treated as withdrawal of his tender before acceptance and 50% of earnest money shall be forfeited.

If the revised tendered amount of two more contractors received in revised offer is again found to be equal, the lowest tender, among such contractors, shall be decided by draw of lots in the presence of designated officers of CIAB.

In case all the lowest contractors those have quoted same tendered amount, refuse to submit revised offers, then tenders are to be recalled after forfeiting 50% of EMD of each contractor.

Contractor(s), whose earnest money is forfeited because of non-submission of revised offer, shall not be allowed to participate in the re-tendering process of the work.

In case of difference in percentage (%age) quoted in words & figures by bidder, the quote via which the amount is arrived shall be considered. Further, in case, the amount could not be arrived due to different quote in words, figures by bidder, the percentage quote in words (eg Two Thousand Three Hundred only) shall be considered.

In case of Percentage Rate Tenders only percentage quoted shall be considered. Any tender containing item rates is liable to be rejected. Percentage quoted by the contractor in percentage rate tender shall be accurately filled in figures and words, so that there is no discrepancy.

4. In **Percentage Rate Tender**, the tenderer shall quote percentage below/above (in figures as well as in words) at which he will be willing to execute the work. The same should be written in figures as well as in words in such a way that no interpolation is possible. In case of figures, the word 'Rs.' should be written before the figure of rupees and word 'P' after the decimal figures, e.g. 'Rs. 2.15P' and in case of words, the word 'Rupees' should precede and the word 'Paisa' should be written at the end. CIAB reserves the right to ask bidders to submit analysis of rates for items, in case the bid is higher than estimated value mentioned in tender document.

5. The Contractor, whose tender is accepted, will be required to furnish performance guarantee of 5% (Five Percent) of the tendered amount within the period specified in Schedule F. This guarantee shall be in the form of cash (in case guarantee amount is less than Rs. 10,000/-) or Deposit at call receipt of any scheduled bank/Banker's cheque of any scheduled bank/Demand Draft of any scheduled bank/Pay order of any scheduled bank (in case guarantee amount is less than Rs. 1,00,000/-) or Government Securities or Fixed Deposit Receipts or Guarantee Bonds of any Scheduled Bank or the State Bank of India in accordance with the prescribed form.

6. The Security deposit 2.5% will be collected by deductions from the running bills as well as final bill of the contractor at the rates mentioned above. The Security amount will also be accepted in cash or in the shape of Government Securities. Fixed Deposit Receipt of a Scheduled Bank or State Bank of India will also be accepted for this purpose provided confirmatory advice is enclosed.

7. On acceptance of the tender, the name of the accredited representative(s) of the contractor who would be responsible for taking instructions from the Engineer-in-Charge shall be communicated in writing to the Engineer-in-Charge.

8. Sales-tax/VAT, purchase tax, turnover tax, service tax, wct, entry tax, octroi, GST etc or any other tax applicable in respect of this contract shall be payable by the Contractor.

9. The statutory deductions such as TDS, security from RA bills, labour cess, GST on TDS, etc. shall be deducted at source as per prevailing percentage/rates as amended from time to time by Central/Sate Govt.

10. The contractor shall give a list of both gazetted and non-gazetted CIAB employees related to him (if any).

11. The contractor shall comply with the provisions of the Apprentices Act 1961, and the rules and orders issued thereunder from time to time. If he fails to do so, his failure will be a breach of the contract and the Competent Authority may in his discretion, without prejudice to any other right or remedy available in law, cancel the contract. The contractor shall also be liable for any pecuniary liability arising on account of any violation by him of the provisions of the said Act.

## CONDITIONS OF CONTRACT

### Definitions

- I. The **Contract** means the documents forming the tender and acceptance thereof and the formal agreement executed between Center of Innovative & Applied Bioprocessing (CIAB) and the Contractor, together with the documents referred to therein including these conditions, the specifications, designs, drawings and instructions issued from time to time by the Engineer-in- Charge and all these documents taken together, shall be deemed to form one contract and shall be complementary to one another.
- II. In the contract, the following expressions shall, unless the context otherwise requires, have the meanings, hereby respectively assigned to them: -
- (i) The expression **works** or **work** shall, unless there be something either in the subject or context repugnant to such construction, be construed and taken to mean the works by or by virtue of the contract contracted to be executed whether temporary or permanent, and whether original, altered, substituted or additional.
- (ii) The **Site** shall mean the land/or other places on, into or through which work is to be executed under the contract or any adjacent land, path or street through which work is to be executed under the contract or any adjacent land, path or street which may be allotted or used for the purpose of carrying out the contract.
- (iii) The **Contractor** shall mean the individual, firm or company, whether incorporated or not, undertaking the works and shall include the legal personal representative of such individual or the persons composing such firm or company, or the successors of such firm or company and the permitted assignees of such individual, firm or company.
- (iv) The Owner/Competent Authority/Institute **means** the Chief Executive Officer, CIAB
- (v) The **Engineer-in-charge** means the Assistant Engineer (Civil) who shall supervise and be in charge of the work on behalf of the Competent Authority.
- (vi) **Accepting Authority** shall mean the authority Chief Executive Officer, CIAB
- (vii) **Excepted Risk** are risks due to riots (other than those on account of contractor's Employees), war (whether declared or not) invasion, act of foreign enemies, hostilities, civil war, rebellion revolution, insurrection, military or usurped power, any acts of Government, damages from aircraft, acts of God, such as earthquake, lightening and unprecedented floods, and other causes over which the contractor has no control and accepted as such by the Accepting Authority or causes solely due to use or occupation by owner of the part of the works in respect of which a certificate of completion has been issued or a cause solely due to owner's faulty design of works.
- (viii) **Market Rate** shall be the rate as decided by the Engineer-in-Charge on the basis of the cost of materials and labour as per market at the site where the work is to be executed plus the percentage, all overheads and profits.
- (ix) **Schedule(s)** referred to in these conditions shall mean the relevant schedule(s) annexed to the tender papers or the standard Schedule of Rates of the government mentioned with the amendments thereto issued up to the date of receipt of the tender.
- (X) **Tendered value** means the value of the entire work as stipulated in the letter of award as quoted by bidders.
- (xi) **Date of commencement of work:** The date of commencement of work shall be the date of start or the first date of handing over of the site, whichever is later, in accordance with the phasing if any, as indicated in the tender document.

III. Where the context so requires, words imparting the singular only also include the plural and vice versa. Any reference to masculine gender shall whenever required include feminine gender and vice versa.

- IV. Headings and Marginal notes to these General Conditions of Contract shall not be deemed to form part thereof or be taken into consideration in the interpretation or construction thereof or of the contract.
- V. The contractor shall be furnished, free of cost one certified copy of the contract documents except standard specifications, Schedule of Rates and such other printed and published documents, together with all drawings as may be forming part of the tender papers. None of these documents shall be used for any purpose other than that of this contract.
- VI. The work to be carried out under the Contract shall, except as otherwise provided in these conditions, include all labour, materials, tools, plants, equipment and transport which may be required in preparation of and for and in the full and entire execution and completion of the works. The descriptions given in the Schedule of Quantities shall, unless otherwise stated, be held to include wastage on materials, carriage and cartage, carrying and return of empties, hoisting, setting, fitting and fixing in position and all other labours necessary in and for the full and entire execution and completion of the work as aforesaid in accordance with good practice and recognized principles.
- VII. The Contractor shall be deemed to have satisfied himself before tendering as to the correctness and sufficiency of his tender for the works and of the rates and prices quoted in the Schedule of Quantities, which rates and prices shall, except as otherwise provided, cover all his obligations under the Contract and all matters and things necessary for the proper completion and maintenance of the works.
- VIII. The several documents forming the Contract are to be taken as mutually explanatory of one another, detailed drawings being followed in preference to small scale drawing and figured dimensions in preference to scale and special conditions in preference to General Conditions.
- IX. In the case of discrepancy between the schedule of Quantities, the Specifications and/ or the Drawings, the following order of preference shall be observed: -
- (i) Description of Schedule of Quantities.
  - (ii) Particular Specification and Special Condition, if any.
  - (iii) Drawings.
  - (iv) CPWD Specifications.
  - (v) Indian Standard Specifications of B.I.S.
- X. If there are varying or conflicting provisions made in any one document forming part of the contract, the Accepting Authority shall be the deciding authority with regard to the intention of the document and his decision shall be final and binding on the contractor.
- XI. Any error in description, quantity or rate in Schedule of Quantities or any omission therefrom shall not vitiate the Contract or release the Contractor from the execution of the whole or any part of the works comprised therein according to drawings and specifications or from any of his obligations under the contract.

## CLAUSES OF CONTRACT

### CLAUSE 1

(i) The contractor shall submit an irrevocable Performance Guarantee of **5% (Five percent)** of the tendered amount in addition to other deposits mentioned elsewhere in the contract for his proper performance of the contract agreement, (not withstanding and/or without prejudice to any other provisions in the contract) within period specified from the date of issue of letter of acceptance. This period can be further extended by the Competent Authority up to a maximum period as specified in schedule 'F' on written request of the contractor stating the reason for delays in procuring the Performance Guarantee, to the satisfaction of the Engineer-in-Charge. This guarantee shall be in the form of Cash (in case guarantee amount is less than Rs. 10,000/-) or Deposit at Call receipt of any scheduled bank/Banker's Cheque of any scheduled bank/Demand Draft of any scheduled bank/Pay Order of any scheduled bank (in case guarantee amount is less than Rs. 1, 00,000/-) or Government Securities or Fixed Deposit Receipts or Guarantee Bonds of any Scheduled Bank or the State Bank of India in accordance with the form annexed hereto. In case a fixed deposit receipt of any Bank is furnished by the contractor to the Government as part of the performance guarantee and the Bank is unable to make payment against the said fixed deposit receipt, the loss caused thereby shall fall on the contractor and the contractor shall forthwith on demand furnish additional security to the Government to make good the deficit.

(ii) The Performance Guarantee shall be initially valid up to the stipulated date of completion plus 60 days beyond that. In case the time for completion of work gets enlarged, the contractor shall get the validity of Performance Guarantee extended to cover such enlarged time for completion of work. After recording of the completion certificate for the work by the competent authority, the performance guarantee shall be returned to the contractor, without any interest. However, in case of contracts involving maintenance of building and services/any other work after construction of same building and services/other work, then 50% of Performance Guarantee shall be retained as Security Deposit. The same shall be returned year wise proportionately.

(iii) The Engineer-in-Charge shall not make a claim under the performance guarantee except for amounts to which the owner is entitled under the contract (not withstanding and/or without prejudice to any other provisions in the contract agreement) in the event of:

(a) Failure by the contractor to extend the validity of the Performance Guarantee as described herein above, in which event the Engineer-in-Charge may claim the full amount of the Performance Guarantee.

(b) Failure by the contractor to owner any amount due, either as agreed by the contractor or determined under any of the Clauses/Conditions of the agreement, within 30 days of the service of notice to this effect by Engineer-in-Charge.

(iv) In the event of the contract being determined or rescinded under provision of any of the Clause/Condition of the agreement, the performance guarantee shall stand forfeited in full and shall be absolutely at the disposal of the Competent Authority.

### CLAUSE 1 A

#### Recovery of Security Deposit

The person/persons whose tender(s) may be accepted (hereinafter called the contractor) shall permit Department at the time of making any payment to him for work done under the contract to **deduct a sum at the rate of 2.5% of the gross amount** of each running and final bill till the sum deducted will amount to security deposit of 2.5% of the tendered value of the work. Such deductions will be made and held by Government by way of Security Deposit unless he/they has/have deposited the amount of Security at the rate mentioned above in cash or in the form of Government Securities or fixed deposit receipts. In case a fixed deposit receipt of any Bank is furnished by the contractor to the Government as part of the security deposit and the Bank is unable to make payment against the said fixed deposit receipt, the loss caused thereby shall fall on the contractor and the

contractor shall forthwith on demand furnish additional security to the Government to make good the deficit. All compensations or the other sums of money payable by the contractor under the terms of this contract may be deducted from, or paid by the sale of a sufficient part of his security deposit or from the interest arising therefrom, or from any sums which may be due to or may become due to the contractor by Government on any account whatsoever and in the event of his Security Deposit being reduced by reason of any such deductions or sale as aforesaid, the contractor shall within 10 days make good in cash or fixed deposit receipt tendered by the State Bank of India or by Scheduled Banks or Government Securities (if deposited for more than 12 months) endorsed in favour of the Engineer-in-Charge, any sum or sums which may have been deducted from, or raised by sale of his security deposit or any part thereof. The security deposit shall be collected from the running bills and the final bill of the contractor at the rates mentioned above.

The security deposit as deducted above can be released against bank guarantee issued by a scheduled bank, on its accumulations to a minimum of Rs. 5 lac subjects to the condition that amount of such bank guarantee, except last one, shall not be less than Rs. 5 lacs. Provided further that the validity of bank guarantee including the one given against the earnest money shall be in conformity with provisions contained in clause 17 which shall be extended from time to time depending upon extension of contract granted under provisions of clause 2 and clause 5.

In case of contracts involving maintenance of building and services/any other work after construction of same building and services/other work, then 50% of Performance Guarantee shall be retained as Security Deposit. The same shall be returned year wise proportionately.

## **CLAUSE 2**

### **Compensation for Delay**

If the contractor fails to maintain the required progress or to complete the work and clear the site on or before the contract or extended date of completion, he shall, without prejudice to any other right or remedy available under the law to the Government on account of such breach, pay as agreed compensation the amount calculated at the rates stipulated below as the authority specified in schedule 'F' (whose decision in writing shall be final and binding) may decide on the amount of tendered value of the work for every completed day/month (as applicable) that the progress remains below that specified in Clause 5 or that the work remains incomplete. This will also apply to items or group of items for which a separate period of completion has been specified.

**(i) Compensation @ Point Five percent (0.5%) per week of delay** for delay of work to be computed on day basis provided always that the total amount of compensation for delay to be paid under this Condition shall not exceed 10% of the Tendered Value of work or of the Tendered Value of the item or group of items of work for which a separate period of completion is originally given.

The amount of compensation may be adjusted or set-off against any sum payable to the Contractor under this or any other contract with the Government. In case, the contractor does not achieve a particular milestone mentioned in schedule F, or the re-scheduled milestone(s) in terms of Clause 5.4, the amount shown against that milestone shall be withheld, to be adjusted against the compensation levied at the final grant of Extension of Time. With-holding of this amount on failure to achieve a milestone, shall be automatic without any notice to the contractor. However, if the contractor catches up with the progress of work on the subsequent milestone(s), the withheld amount shall be released. In case the contractor fails to make up for the delay in subsequent milestone(s), amount mentioned against each milestone missed subsequently also shall be withheld. However, no interest, whatsoever, shall be payable on such withheld amount.

## **CLAUSE 2A (Not Applicable in this tender)**

### **Incentive for early completion (Not Applicable in this tender)**



## **CLAUSE 3**

### **When Contract can be Determined**

Subject to other provisions contained in this clause, the Engineer-in-Charge may, without prejudice to his any other rights or remedy against the contractor in respect of any delay, inferior workmanship, any claims for damages and/or any other provisions of this contract or otherwise, and whether the date of completion has or has not elapsed, by notice in writing absolutely determine the contract in any of the following cases:

(i) If the contractor having been given by the Engineer-in-Charge a notice in writing to rectify, reconstruct or replace any defective work or that the work is being performed in an inefficient or otherwise improper or unworkman like manner shall omit to comply with the requirement of such notice for a period of seven days thereafter.

(ii) If the contractor has, without reasonable cause, suspended the progress of the work or has failed to proceed with the work with due diligence so that in the opinion of the Engineer-in-Charge (which shall be final and binding) he will be unable to secure completion of the work by the date for completion and continues to do so after a notice in writing of seven days from the Engineer-in-Charge.

(iii) If the contractor fails to complete the work within the stipulated date or items of work with individual date of completion, if any stipulated, on or before such date(s) of completion and does not complete them within the period specified in a notice given in writing in that behalf by the Engineer-in-Charge.

(iv) If the contractor persistently neglects to carry out his obligations under the contract and/ or commits default in complying with any of the terms and conditions of the contract and does not remedy it or take effective steps to remedy it within 7 days after a notice in writing is given to him in that behalf by the Engineer-in-Charge.

(v) If the contractor shall offer or give or agree to give to any person in Government service or to any other person on his behalf any gift or consideration of any kind as an inducement or reward for doing or forbearing to do or for having done or forborne to do any act in relation to the obtaining or execution of this or any other contract for Government.

(vi) If the contractor shall enter into a contract with Government in connection with which commission has been paid or agreed to be paid by him or to his knowledge, unless the particulars of any such commission and the terms of payment thereof have been previously disclosed in writing to the Engineer-in-Charge.

(vii) If the contractor had secured the contract with Government as a result of wrong tendering or other non-bonafide methods of competitive tendering or commits breach of Integrity Agreement.

(viii) If the contractor being an individual, or if a firm, any partner thereof shall at any time be adjudged insolvent or have a receiving order or order for administration of his estate made against him or shall take any proceedings for liquidation or composition (other than a voluntary liquidation for the purpose of amalgamation or reconstruction) under any Insolvency Act for the time being in force or make any conveyance or assignment of his effects or composition or arrangement for the benefit of his creditors or purport so to do, or if any application be made under any Insolvency Act for the time being in force for the sequestration of his estate or if a trust deed be executed by him for benefit of his creditors.

(ix) If the contractor being a company shall pass a resolution or the court shall make an order that the company shall be wound up or if a receiver or a manager on behalf of a creditor shall be appointed or if circumstances shall arise which entitle the court or the creditor to appoint a receiver or a manager or which entitle the court to make a winding up order.

(x) If the contractor shall suffer an execution being levied on his goods and allow it to be continued for a period of 21 days.

(xi) If the contractor assigns, transfers, sublets (engagement of labour on a piece-work basis or of labour with materials not to be incorporated in the work, shall not be deemed to be subletting) or otherwise parts with or attempts to assign, transfer, sublet or otherwise parts with the entire works or any portion thereof without the prior written approval of the Engineer -in-Charge.

When the contractor has made himself liable for action under any of the cases aforesaid, the Competent Authority shall have powers:

(a) To determine the contract as aforesaid (of which termination notice in writing to the contractor under the hand of the Engineer-in-Charge shall be conclusive evidence). Upon such determination, the Security Deposit already recovered and Performance Guarantee under the contract shall be liable to be forfeited and shall be absolutely at the disposal of the Government

(b) After giving notice to the contractor to measure up the work of the contractor and to take such whole, or the balance or part thereof, as shall be un-executed out of his hands and to give it to another contractor to complete the work. The contractor, whose contract is determined as above, shall not be allowed to participate in the tendering process for the balance work.

In the event of above courses being adopted by the Engineer-in-Charge, the contractor shall have no claim to compensation for any loss sustained by him by reasons of his having purchased or procured any materials or entered into any engagements or made any advances on account or with a view to the execution of the work or the performance of the contract. And in case action is taken under any of the provision aforesaid, the contractor shall not be entitled to recover or be paid any sum for any work thereof or actually performed under this contract unless and until the Engineer-in-Charge has certified in writing the performance of such work and the value payable in respect thereof and he shall only be entitled to be paid the value so certified.

### **CLAUSE 3A**

In case, the work cannot be started due to reasons not within the control of the contractor within 1/8th of the stipulated time for completion of work or one month whichever is higher, either party may close the contract. In case contractor wants to close the contract, he shall give notice to the department stating the failure on the part of department. In such eventuality, the Performance Guarantee of the contractor shall be refunded within following time limits:

- (i) If the Tendered value of work is up to Rs. 45 lac: 15 days.
- (ii) If the Tendered value of work is more than Rs. 45 lac and up to Rs. 2.5 Crore: 21 days.
- (iii) If the Tendered value of work exceeds Rs. 2.5 Crore: 30 days.

### **CLAUSE 4**

#### **Contractor liable to pay Compensation even if action not taken under Clause 3**

In any case in which any of the powers conferred upon the Competent Authority by Clause-3 thereof, shall have become exercisable and the same are not exercised, the non-exercise hereof shall not constitute a waiver of any of the conditions hereof and such powers shall Notwithstanding be exercisable in the event of any future case of default by the contractor and the liability of the contractor for compensation shall remain unaffected. In the event of the Engineer-in-Charge putting in force all or any of the powers vested in him under the preceding clause he may, if he so desires after giving a notice in writing to the contractor, take possession of (or at the sole discretion of the Engineer-in- Charge which shall be final and binding on the contractor) use as on hire (the amount of the hire money being also in the final determination of the Engineer-in-Charge) all or any tools, plant, materials and stores, in or upon the works, or the site thereof belonging to the contractor, or procured by the contractor and intended to be used for the execution of the work/or any part thereof, paying or allowing for the same in account at the contract rates, or, in the case of these not being applicable, at current market rates to be certified by the Engineer-in-Charge, whose certificate thereof shall be final, and binding on the contractor, clerk of the works, foreman or other authorized agent to remove such tools, plant, materials, or stores from the

premises (within a time to be specified in such notice) in the event of the contractor failing to comply with any such requisition, the Engineer-in-Charge may remove them at the contractor's expense or sell them by auction or private sale on account of the contractor and his risk in all respects and the certificate of the Engineer-in-Charge as to the expenses of any such removal and the amount of the proceeds and expenses of any such sale shall be final and conclusive against the contractor.

## **CLAUSE 5**

### **Time and Extension for Delay**

The time allowed for execution of the Works as specified in the Schedule 'F' or the extended time in accordance with these conditions shall be the essence of the Contract. The execution of the works shall commence from such time period as mentioned in schedule 'F' or from the date of handing over of the site whichever is later. If the Contractor commits default in commencing the execution of the work as aforesaid, Government shall without prejudice to any other right or remedy available in law, be at liberty to forfeit the performance guarantee absolutely.

### **5.1 Programme Chart**

The Contractor shall prepare an integrated program chart for the execution of work, showing clearly all activities from the start of work to completion, with details of manpower, equipment and machinery required for the fulfilment of the program within the stipulated period or earlier and submit the same for approval of the Engineer-in-Charge within **07 days** of the issue of letter of acceptance/award for the contract. The work has to be completed in stages as indicated in the Milestones and the program should be prepared in such a manner to achieve these Milestones as indicated therein or earlier.

The program chart should include the following: -

- a) Descriptive note explaining sequence of various activities.
- b) Network (PERT / CPM / BAR CHART) which will indicate resources in financial terms, manpower and specialized equipment for every important stage.
- c) Program for procurement of materials by the contractor.
- d) Program of procurement of machinery / equipment's having adequate capacity, commensurate with the quantum of work to be done within the stipulated period, by the contractor.

If at any time, it appears to the Engineer-in-Charge that the actual progress of work does not conform to the approved program referred above, the contractor shall produce a revised program showing the modifications to the approved program by additional inputs to ensure completion of the work within the stipulated time.

The submission of revised program or approval by the Engineer -in-Charge of such program or the furnishing of such particulars shall not discharge the contractor of any of his duties or responsibilities under the contract. This is without prejudice to the right of Engineer-in-Charge to take action against the contractor as per terms and conditions of the agreement.

### **5.2**

If the work(s) be delayed by: -

- (i) Force majeure, or
- (ii) Abnormally bad weather, rains or
- (iii) Serious loss or damage by fire, or
- (iv) Civil commotion, local commotion of workmen, strike or lockout, affecting any of the Trades employed on the work, or

(v) Delay on the part of other contractors or tradesmen engaged by owner in executing work not forming part of the Contract, or  
(vi) Non-availability of stores material, which are the responsibility of owner to supply or  
(vii) Non-availability or break down of tools and Plant to be supplied or supplied by Government or  
(viii) Any other cause which, is beyond the Contractor's control. Then upon the happening of any such event causing delay, the Contractor shall immediately give notice thereof in writing to the authority as indicated in Schedule 'F' but shall nevertheless use constantly his best endeavors to prevent or make good the delay and shall do all that may be reasonably required to the satisfaction of the Engineer-in-Charge to proceed with the works.

**5.3** Request for rescheduling of Mile stones and extension of time, to be eligible for consideration, shall be made by the Contractor in writing within fourteen days of the happening of the event causing delay on the prescribed form to the authority as indicated in Schedule 'F'. The Contractor may also, if practicable, indicate in such a request the period for which extension is desired.

**5.4** In any such case the authority as indicated in Schedule 'F' may give a fair and reasonable extension of time and reschedule the mile stones for completion of work. Such extension or rescheduling of the milestones shall be communicated to the Contractor by the authority as indicated in Schedule 'F' in writing, within 4 weeks of the date of receipt of such request respectively. Non-application by the contractor for extension of time/ rescheduling of the milestones shall not be a bar for giving a fair and reasonable extension/ rescheduling of the milestones by the authority as indicated in Schedule 'F' and this shall be binding on the contractor.

## **CLAUSE 6**

### **Measurements of Work Done**

***The work shall be measured item wise & entered in the measurement book. Accordingly, payment shall be made against each measured item and in the end amount shall be calculated based on these measurements, percentage quote by bidder.*** Engineer-in-Charge shall, except as otherwise provided, ascertain and determine by measurement, the value in accordance with the contract of work done. All measurement of all items having financial value shall be entered in Measurement Book so that a complete record is obtained of all works performed under the contract.

All measurements and levels shall be taken jointly by the Engineer-in-Charge or his authorized representative and by the contractor or his authorized representative from time to time during the progress of the work and such measurements shall be signed and dated by the Engineer in-Charge and the contractor or their representatives in token of their acceptance. If the contractor objects to any of the measurements recorded, a note shall be made to that effect with reason and signed by both the parties.

If for any reason the contractor or his authorized representative is not available and the work of recording measurements is suspended by the Engineer-in-Charge or his representative, the Engineer-in-Charge and the Department shall not entertain any claim from contractor for any loss or damages on this account. If the contractor or his authorized representative does not remain present at the time of such measurements after the contractor or his authorized representative has been given a notice in writing three (3) days in advance or fails to countersign or to record objection within a week from the date of the measurement, then such measurements recorded in his absence by the Engineer-in-Charge or his representative shall be deemed to be accepted by the Contractor.

The contractor shall, without extra charge, provide all assistance with every appliance, labour and other things necessary for measurements and recording levels. Except where any general or detailed description of the work expressly shows to the contrary, measurements shall be taken in accordance with the procedure set forth in the specifications notwithstanding any provision in the relevant Standard Method of measurement or any general or local custom. In the case of items which are not covered by specifications, measurements shall be taken in accordance with the relevant standard method of measurement issued by the Bureau of Indian Standards and if for any item no such standard is available, then a mutually agreed method shall be followed. The contractor shall give, not less than seven days' notice to the Engineer-in-Charge or his authorized

representative in charge of the work, before covering up or otherwise placing beyond the reach of measurement any work in order that the same may be measured and correct dimensions thereof be taken before the same is covered up or placed beyond the reach of measurement and shall not cover up and place beyond reach of measurement any work without consent in writing of the Engineer-in-Charge or his authorized representative in charge of the work who shall within the aforesaid period of seven days inspect the work, and if any work shall be covered up or placed beyond the reach of measurements without such notice having been given or the Engineer-in-Charge's consent being obtained in writing, the same shall be uncovered at the Contractor's expense, or in default thereof no payment or allowance shall be made for such work or the materials with which the same was executed. Engineer-in-Charge or his authorized representative may cause either themselves or through another officer of the department to check the measurements recorded jointly or otherwise as aforesaid and all provisions stipulated herein above shall be applicable to such checking of measurements or levels. It is also a term of this contract that recording of measurements of any item of work in the measurement book and/or its payment in the interim, on account or final bill shall not be considered as conclusive evidence as to the sufficiency of any work or material to which it relates nor shall it relieve the contractor from liabilities from any over measurement or defects noticed till completion of the defects liability period.

## **CLAUSE 6A**

### **Computerized Measurement Book**

Engineer-in-Charge shall, except as otherwise provided, ascertain and determine by measurement the value of work done in accordance with the contract. All measurements of all items having financial value shall be entered by the contractor and compiled in the shape of the Computerized Measurement Book having pages of A-4 size as per the format of the department so that a complete record is obtained of all the items of works performed under the contract.

All such measurements and levels recorded by the contractor or his authorized representative from time to time, during the progress of the work, shall be got checked by the contractor from the Engineer-in-Charge or his authorized representative as per interval or program fixed in consultation with Engineer-in-Charge or his authorized representative. After the necessary corrections made by the Engineer-in-Charge, the measurement sheets shall be returned to the contractor for incorporating the corrections and for resubmission to the Engineer-in-Charge for the dated signatures by the Engineer-in-Charge and the contractor or their representatives in token of their acceptance.

Whenever bill is due for payment, the contractor would initially submit draft computerized measurement sheets and these measurements would be got checked/test checked from the Engineer-in-Charge and/or his authorized representative. The contractor will, thereafter, incorporate such changes as may be done during these checks/test checks in his draft computerized measurements, and submit to the department a computerized measurement book, duly bound, and with its pages machine numbered. The Engineer-in-Charge and/or his authorized representative would thereafter check this MB, and record the necessary certificates for their checks/test checks.

The final, fair, computerized measurement book given by the contractor, duly bound, with its pages machine numbered, should be 100% correct, and no cutting or over-writing in the measurements would thereafter be allowed. If at all any error is noticed, the contractor shall have to submit a fresh computerized MB with its pages duly machine numbered and bound, after getting the earlier MB cancelled by the department. Thereafter, the MB shall be taken in the accounts Office records and allotted a number as per the Register of Computerised MBs. This should be done before the corresponding bill is submitted to the accounts Office for payment. The contractor shall submit two spare copies of such computerized MB's for the purpose of reference and record by the various officers of the department. The contractor shall also submit to the department separately his computerized Abstract of Cost and the bill based on these measurements, duly bound, and its pages machine numbered along with two spare copies of the "bill. Thereafter, this bill will be processed by the accounts Office and allotted a number as per the computerized record in the same way as done for the measurement book meant for measurements. The contractor shall, without extra charge, provide all assistance with every

appliance, labour and other things necessary for checking of measurements/levels by the Engineer-in- Charge or his representative.

Except where any general or detailed description of the work expressly shows to the contrary, measurements shall be taken in accordance with the procedure set forth in the specifications notwithstanding any provision in the relevant Standard Method of measurement or any general or local custom. In the case of items which are not covered by specifications, measurements shall be taken in accordance with the relevant standard method of measurement issued by the Bureau of Indian Standards and if for any item no such standard is available then a mutually agreed method shall be followed. The contractor shall give not less than seven days' notice to the Engineer-in-Charge or his authorized representative in charge of the work before covering up or otherwise placing beyond the reach of checking and/or test checking the measurement of any work in order that the same may be checked and/or test checked and correct dimensions thereof be taken before the same is covered up or placed beyond the reach of checking and/or test checking measurement and shall not cover up and place beyond reach of measurement any work without consent in writing of the Engineer-in-Charge or his authorized representative in charge of the work who shall within the aforesaid period of seven days inspect the work, and if any work shall be covered up or placed beyond the reach of checking and/or test checking measurements without such notice having been given or the Engineer-in-Charge's consent being obtained in writing the same shall be uncovered at the Contractor's expense, or in default thereof no payment or allowance shall be made for such work or the materials with which the same was executed. Engineer-in-Charge or his authorized representative may cause either themselves or through another officer of the department to check the measurements recorded by contractor and all provisions stipulated herein above shall be applicable to such checking of measurements or levels. It is also a term of this contract that checking and/or test checking the measurements of any item of work in the measurement book and/or its payment in the interim, on account of final bill shall not be considered as conclusive evidence as to the sufficiency of any work or material to which it relates nor shall it relieve the contractor from liabilities from any over measurement or defects noticed till completion of the defects liability period.

Any other form, in place of Computerized Measurement book as deemed suitable by the Institute may be adopted.

#### **CLAUSE 7**

#### **Payment on Intermediate Certificate to be regarded as Advances (NOT APPLICABLE)**

#### **CLAUSE 8**

#### **Completion Certificate and Completion Plans**

Within ten days of the completion of the work, the contractor shall give notice of such completion to the Engineer-in-Charge and within thirty days of the receipt of such notice, the Engineer-in-Charge shall inspect the work and if there is no defect in the work, shall furnish the contractor with a final certificate of completion, otherwise a provisional certificate of physical completion indicating defects (a) to be rectified by the contractor and/or (b) for which payment will be made at reduced rates, shall be issued. But no final certificate of completion shall be issued, nor shall the work be considered to be complete until the contractor shall have removed from the premises on which the work shall be executed all scaffolding, surplus materials, rubbish and all huts and sanitary arrangements required for his/their work people on the site in connection with the execution of the works as shall have been erected or constructed by the contractor(s) and cleaned off the dirt from all wood work, doors, windows, walls, floor or other parts of the building, in, upon, or about which the work is to be executed or of which he may have had possession for the purpose of the execution; thereof, and not until the work shall have been measured by the Engineer-in-Charge. If the contractor shall fail to comply with the requirements of this Clause as to removal of scaffolding, surplus materials and rubbish and all huts and sanitary arrangements as aforesaid and cleaning off dirt on or before the date fixed for the completion of work, the Engineer-in-Charge may at the expense of the contractor remove such scaffolding, surplus materials and rubbish etc., and dispose of the same as he thinks fit and clean off such dirt as aforesaid, and the contractor shall have no claim in respect of scaffolding or surplus materials as aforesaid except for any sum actually realized by the sale thereof.

## **CLAUSE 8A**

### **Contractor to Keep Site Clean**

When the annual repairs and maintenance/finishes of works are carried out, the splashes and droppings from white washing, colour washing, painting etc., on walls, floor, windows, etc shall be removed and the surface cleaned simultaneously with the completion of these items of work in the individual rooms, quarters or premises etc. where the work is done: without waiting for the actual completion of all the other items of work in the contract. In case the contractor fails to comply with the requirements of this clause, the Engineer-in-Charge shall have the right to get this work done at the cost of the contractor either departmentally or through any other agency. Before taking such action, the Engineer-in-Charge shall give ten days' notice in writing to the contractor.

## **CLAUSE 8B**

### **Completion Plans to be submitted by the Contractor**

The contractor shall submit completion plan for various executions, services etc. as applicable within thirty days of the completion of the work.

In case, the contractor fails to submit the completion plan as aforesaid, he shall be liable to pay a sum equivalent to 2.5% of the value of the work subject to a ceiling of Rs. 15,000/- (Rs. Fifteen thousand only) as may be fixed by the Competent Authority concerned and in this respect the decision of the Competent Authority shall be final and binding on the contractor.

## **CLAUSE 9**

### **Payment of Running & Final Bill**

*The running bills of contractor shall be paid within 30 days from date of submission of hard copy. The running bills below value of Rs 5.0 lacs shall not be entertained. The payment shall be made based on measurements recorded against each item mentioned in financial bid and the amount shall be worked out based on the measurements recorded, rates mentioned in this tender document by Department and percentage quote plus/minus quoted by bidder. Contractor shall duly co-operate with Department in verifying measurement at site.*

The final bill shall be submitted by the contractor in the same manner as specified in interim bills within **three months** of physical completion of the work. No further claims shall be made by the contractor after submission of the final bill and these shall be deemed to have been waived and extinguished. Payments of those items of the bill in respect of which there is no dispute and of items in dispute, for quantities and rates as approved by Engineer-in-Charge, will, as far as possible be made within the period specified herein under, the period being reckoned from the date of receipt of the bill by the Engineer-in- Charge, complete with account of materials issued by the Department and dismantled materials.

- (i) If the Tendered value of work is up to Rs. 45 lacs: **2 months**
- (ii) If the Tendered value of work is more than Rs.45 lac and up to Rs. 2.5 Crore: 3 months
- (iii) If the Tendered value of work exceeds Rs. 2.5 Crore: 6 months

## **CLAUSE 9A**

### **Payment of Contractor's Bills to Banks (Not Applicable)**

## CLAUSE 10

### Materials supplied by Owner (Not Applicable)

## CLAUSE 10A

### Materials to be provided by the Contractor

The contractor shall, at his own expense, provide all materials, required for the works other than those which are stipulated to be supplied by the owner. The contractor shall, at his own expense and without delay, supply to the Engineer-in- Charge samples of materials to be used on the work and shall get these approved in advance. All such materials to be provided by the Contractor shall be in conformity with the specifications laid down or referred to in the contract. The contractor shall, if requested by the Engineer-in- Charge furnish proof, to the satisfaction of the Engineer-in-Charge that the materials so comply. The Engineer-in-Charge shall within thirty days of supply of samples or within such further period as he may require intimate to the Contractor in writing whether samples are approved by him or not. If samples are not approved, the Contractor shall forthwith arrange to supply to the Engineer-in-Charge for his approval, fresh samples complying with the specifications laid down in the contract. When materials are required to be tested in accordance with specifications, approval of the Engineer-in-Charge shall be issued after the test results are received.

The Contractor shall at his risk and cost submit the samples of materials to be tested or analyzed and shall not make use of or incorporate in the work any materials represented by the samples until the required tests or analysis have been made and materials finally accepted by the Engineer-in-Charge. The Contractor shall not be eligible for any claim or compensation either arising out of any delay in the work or due to any corrective measures required to be taken on account of and as a result of testing of materials.

The contractor shall, at his risk and cost, make all arrangements and shall provide all facilities as the Engineer-in-Charge may require for collecting, and preparing the required number of samples for such tests at such time and to such place or places as may be directed by the Engineer-in-Charge and bear all charges and cost of testing unless specifically provided for otherwise elsewhere in the contract or specifications. The Engineer in-Charge or his authorized representative shall at all times have access to the works and to all workshops and places where work is being prepared or from where materials, manufactured articles or machinery are being obtained for the works and the contractor shall afford every facility and every assistance in obtaining the right to such access.

The Engineer-in-Charge shall have full powers to require the removal from the premises of all materials which in his opinion are not in accordance with the specifications and in case of default, the Engineer-in-Charge shall be at liberty to employ at the expense of the contractor, other persons to remove the same without being answerable or accountable for any loss or damage that may happen or arise to such materials. The Engineer-in-Charge shall also have full powers to require other proper materials to be substituted thereof and in case of default, the Engineer-in-Charge may cause the same to be supplied and all costs which may attend such removal and substitution shall be borne by the Contractor. The contractor shall at his own expense, provide a material testing lab at the site for conducting routine field tests. The lab shall be equipped at least with the testing equipment as specified in schedule F.

## CLAUSE 10B

### Secured Advance on Non-perishable Materials

(i) The contractor, on signing an indenture in the form to be specified by the Engineer-in-Charge, shall be entitled to be paid during the progress of the execution of the work up to **90% of the assessed value of any materials** which are in the opinion of the Engineer-in- Charge non-perishable, non-fragile and non-combustible and are in accordance with the contract and which have been brought on the site in connection therewith and are adequately stored and/or protected against damage by weather or other causes



but which have not at the time of advance been incorporated in the works. When materials on account of which an advance has been made under this sub-clause are incorporated in the work, the amount of such advance shall be recovered/deducted from the next payment made under any of the clause or clauses of this contract. Such secured advance shall also be payable on other items of perishable nature, fragile and combustible with the approval of the Engineer-in-Charge provided the contractor provides a comprehensive insurance cover for the full cost of such materials. The decision of the Engineer- in-Charge shall be final and binding on the contractor in this matter. No secured advance, shall however, be paid on high-risk materials such as ordinary glass, sand, petrol, diesel etc.

(ii) **Mobilization advance not exceeding 10% of the tendered value may be given**, if requested by the contractor in writing within one month of the order to commence the work. Such advance shall be in two or more instalments to be determined by the Engineer-in- Charge at his sole discretion. The first instalment of such advance shall be released by the Engineer-in-charge to the contractor on a request made by the contractor to the Engineer in- Charge in this behalf. The second and subsequent instalments shall be released by the Engineer- in- Charge only after the contractor furnishes a proof of the satisfactory utilization of the earlier instalment to the entire satisfaction of the Engineer-in-Charge. Before any instalment of advance is released, the contractor shall execute a Bank Guarantee Bond from Scheduled Bank for the amount equal to 10% of the amount of advance and valid for the contract period, including extended part, if any. This (Bank Guarantee from Scheduled Bank for the amount equal to 10% of the balance amount of advance) shall be kept renewed from time to time to cover the balance amount and likely period of complete recovery. Provided always that provision of Clause 10 B (ii) shall be applicable only when so provided in 'Schedule F'. Mobilization advance shall be carry interest as per prevailing interest rate of State Bank of India on the date of release of advance.

#### **CLAUSE 10C (NOT APPLICABLE)**

#### **Payment on Account of Increase in Prices/Wages due to Statutory Order(s)**

#### **CLAUSE 10 CA (NOT APPLICABLE)**

#### **Payment due to variation in prices of materials after receipt of tender**

#### **CLAUSE 10 CC (NOT APPLICABLE)**

#### **Payment due to Increase/Decrease in Prices/Wages (excluding materials covered under clause 10 CA) after Receipt of Tender for Works**

#### **CLAUSE 11**

#### **Work to be executed in Accordance with Specifications, Drawings, Orders etc.**

The contractor shall execute the whole and every part of the work in the most substantial and workmanlike manner both as regards materials and otherwise in every respect in strict accordance with the specifications. The contractor shall also conform exactly, fully and faithfully to the design, drawings and instructions in writing in respect of the work signed by the Engineer-in-Charge and the contractor shall be furnished free of charge one copy of the contract documents together with specifications, designs, drawings and instructions as are not included in the standard specifications of Central Public Works Department or in any Bureau of Indian Standard or any other, published standard or code or, Schedule of Rates or any other printed publication referred to elsewhere in the contract. The contractor shall comply with the provisions of the contract and with the care and diligence execute and maintain the works and provide all labour and materials, tools and plants including for measurements and supervision of all works, structural plans and other things of temporary or permanent nature required for such execution and maintenance in so far as the necessity for providing these, is specified or is reasonably inferred from the contract. The Contractor shall take full responsibility for adequacy, suitability and safety of all the works and methods of construction.

## **CLAUSE 12:**

### **Deviations/ Variations Extent and Pricing**

The Engineer-in-Charge after approval from Competent Authority shall have power

i) Execute any extra item which was not initially considered in tender or could not be envisaged during estimation. The contractor shall be paid for same item based on DSR rates or market rate in case item is not available in DSR. In case of market rate, contractor has to submit analysis of rate in CPWD DAR format along with quotation/back up documents.

ii) to make alteration in, omissions from, additions to, or substitutions for the original specifications, drawings, designs and instructions that may appear to him to be necessary or advisable during the progress of the work, and

(iii) to omit a part of the works in case of non-availability of a portion of the site or for any other reasons and the contractor shall be bound to carry out the works in accordance with any instructions given to him in writing signed by the Engineer-in-Charge and such alterations, omissions, additions or substitutions shall form part of the contract as if originally provided therein and any altered, additional or substituted work which the contractor may be directed to do in the manner specified above as part of the works, shall be carried out by the contractor on the same conditions in all respects including price on which he agreed to do the main work except as hereafter provided.

**12.1** The time for completion of the works shall, in the event of any deviations resulting in additional cost over the tendered value sum being ordered be extended, if requested by the contractor, as follows:

(i) In the proportion which the additional cost of the altered, additional or substituted work, bears to the original tendered value plus

(ii) 25% of the time calculated in (i) above or such further additional time as may be considered reasonable by the Engineer-in-Charge.

**12.2 A.** For Project and original works:

#### **Deviation, Extra Items and Pricing**

In the case of extra item(s) (items that are completely new, and are in addition to the items contained in the contract), the contractor may within fifteen days of receipt of order or occurrence of the item(s) claim rates, supported by proper analysis, for the work and the engineer-in-charge shall within prescribed time limit of the receipt of the claims supported by analysis, after giving consideration to the analysis of the rates submitted by the contractor, determine the rates on the basis of the market rates and the contractor shall be paid in accordance with the rates so determined.

**B.** For Maintenance works including works of up gradation, aesthetic, special repair, addition/ alteration:

In the case of Extra Item(s) being the schedule items (Delhi Schedule of Rates items), these shall be paid as per the schedule rate plus cost index (at the time of tender) plus/minus percentage above/ below quoted contract amount. Payment of Extra items in case of non-schedule items (Non-DSR items) shall be made as per the prevailing market rate.

#### **Deviation, Substituted Items, Pricing**

**A.** For Project and original works:

In the case of substituted items (items that are taken up with partial substitution or in lieu of items of work in the contract), the rate for the agreement item (to be substituted) and substituted item shall also be determined in the manner as mentioned in the following para.

(a) If the market rate for the substituted item so determined is more than the market rate of the agreement item (to be substituted), the rate payable to the contractor for the substituted item shall be the rate for the

agreement item (to be substituted) so increased to the extent of the difference between the market rates of substituted item and the agreement item (to be substituted). (b) If the market rate for the substituted item so determined is less than the market rate of the agreement item (to be substituted), the rate payable to the contractor for the substituted item shall be the rate for the agreement item (to be substituted) so decreased to the extent of the difference between the market rates of substituted item and the agreement item (to be substituted).

B. For Maintenance works including works of up gradation, aesthetic, special repair, addition/ alteration: **NOT APPLICABLE**

### **Deviation, Deviated Quantities, Pricing**

A. For Project and original works:

In the case of contract items, substituted items, contract cum substituted items, which exceed the limits laid down in schedule F, the contractor may within fifteen days of receipt of order or occurrence of the excess, claim revision of the rates, supported by proper analysis for the work in excess of the above mentioned limits, provided that if the rates so claimed are in excess of the rates specified in the schedule of quantities, the Engineer-in-Charge shall within prescribed time limit of receipt of the claims supported by analysis, after giving consideration to the analysis of the rates submitted by the contractor, determine the rates on the basis of the market rates and the contractor shall be paid in accordance with the rates so determined.

B. For Maintenance works including works of up gradation, aesthetic, special repair, addition/ alteration:

In the case of contract items, which exceed the limits laid down in schedule F, the contractor shall be paid rates specified in the schedule of quantities.

The prescribed time limits for finalizing rates for Extra Item(s), Substitute Item(s) and Deviated Quantities of contract items are as under:

(i) If the Tendered value of work is up to Rs. 45 lac : 30 days.

(ii) If the Tendered value of work is more than Rs 45 lac and up to Rs. 2.5 Crore: 45 days.

(iii) If the Tendered value of work exceeds Rs. 2.5 Crore : 60 days.

**12.3 A.** For Project and original works:

The provisions of the preceding paragraph shall also apply to the decrease in the rates of items for the work in excess of the limits laid down in Schedule F, and the Engineer-in-Charge shall after giving notice to the contractor within one month of occurrence of the excess and after taking into consideration any reply received from him within fifteen days of the receipt of the notice, revise the rates for the work in question within one month of the expiry of the said period of fifteen days having regard to the market rates.

B. For Maintenance works including works of upgradation, aesthetic, special repair, addition/ alteration: **NOT APPLICABLE**

**12.4** The contractor shall send to the Engineer-in-Charge once every three months, an up to date account giving complete details of all claims for additional payments to which the contractor may consider himself entitled and of all additional work ordered by the Engineer-in-Charge which he has executed during the preceding quarter failing which the contractor shall be deemed to have waived his right. However, the Competent Authority may authorize consideration of such claims on merits.

**12.5** For the purpose of operation of Schedule “F”, the following works shall be treated as works relating to foundation unless & otherwise defined in the contract:

(i) For Buildings: All works up to 1.2 meters above ground level or up to floor 1 level whichever is lower.

(ii) For abutments, piers and well staining: All works up to 1.2 m above the bed level.

(iii) For retaining walls, wing walls, compound walls, chimneys, overhead reservoirs/tanks and other elevated structures: All works up to 1.2 meters above the ground level.

(iv) For reservoirs/tanks (other than overhead reservoirs/tanks): All works up to 1.2 meters above the ground level.

(v) For basement: All works up to 1.2 m above ground level or up to floor 1 level whichever is lower.

(vi) For Roads, all items of excavation and filling including treatment of sub base.

## **12.6**

Any operation incidental for testing to or necessarily has to be in contemplation of tenderer while filing tender, or necessary for proper execution of the item included in the Schedule of quantities or in the schedule of rates mentioned above, whether or not, specifically indicated in the description of the item and the relevant specifications, shall be deemed to be included in the rates quoted by the tenderer or the rate given in the said schedule of rates, as the case may be. Nothing extra shall be admissible for such operations.

## **CLAUSE 13**

### **Foreclosure of contract due to Abandonment or Reduction in Scope of Work**

If at any time after acceptance of the tender Competent Authority shall decide to abandon or reduce the scope of the works for any reason whatsoever and hence not require the whole or any part of the works to be carried out, the Engineer-in-Charge shall give notice in writing to that effect to the contractor and the contractor shall act accordingly in the matter. The contractor shall have no claim to any payment of compensation or otherwise whatsoever, on account of any profit or advantage which he might have derived from the execution of the works in full but which he did not derive in consequence of the foreclosure of the whole or part of the works. The contractor shall be paid at contract rates, full amount for works executed at site and, in addition, a reasonable amount as certified by the Engineer -in-Charge for the items hereunder mentioned which could not be utilized on the work to the full extent in view of the foreclosure;

(i) Any expenditure incurred on preliminary site work, e.g. temporary access roads, temporary labour huts, staff quarters and site office; storage accommodation and water storage tanks.

(ii) Owner shall have the option to take over contractor’s materials or any part thereof either brought to site or of which the contractor is legally bound to accept delivery from suppliers (for incorporation in or incidental to the work) provided, however owner shall be bound to take over the materials or such portions thereof as the contractor does not desire to retain. For materials taken over or to be taken over by owner, cost of such materials as detailed by Engineer-in- Charge shall be paid. The cost shall, however, take into account purchase price, cost of transportation and deterioration or damage which may have been caused to materials whilst in the custody of the contractor.

(iii) If any materials supplied by owner are rendered surplus, the same except normal wastage shall be returned by the contractor to owner at rates not exceeding those at which these were originally issued, less allowance for any deterioration or damage which may have been caused whilst the materials were in the custody of the contractor.

In addition, cost of transporting such materials from site to owner stores, if so required by owner, shall be paid.

(iv) Reasonable compensation for transfer of T & P from site to contractor's permanent stores or to his other works, whichever is less. If T & P are not transported to either of the said places, no cost of transportation shall be payable.

(v) Reasonable compensation for repatriation of contractor's site staff and imported labour to the extent necessary.

The contractor shall, if required by the Engineer- in-Charge, furnish to him, books of account, wage books, time sheets and other relevant documents and evidence as may be necessary to enable him to certify the reasonable amount payable under this condition.

The reasonable amount of items on (i), (iv) and (v) above shall not be in excess of 2% of the cost of the work remaining incomplete on the date of closure, i.e. total stipulated cost of the work as per accepted tender less the cost of work actually executed under the contract and less the cost of contractor's materials at site taken over by the owner as per item (ii) above. Provided always that against any payments due to the contractor on this account or otherwise, the Engineer-in-Charge shall be entitled to recover or be credited with any outstanding balances due from the contractor for advance paid in respect of any tool, plants and materials and any other sums which at the date of termination were recoverable by the owner from the contractor under the terms of the contract.

A compensation for such eventuality, on account of damages etc. shall be payable @ 0.5% of cost of work remaining incomplete on date of closure i.e. total stipulated cost of the work less the cost of work actually executed under the contract shall be payable.

#### **Clause 14**

##### **Carrying out part work at risk & cost of contractor**

If contractor:

(i) At any time makes default during currency of work or does not execute any part of the work with due diligence and continues to do so even after a notice in writing of 7 days in this respect from the Engineer-in-Charge; or

(ii) Commits default in complying with any of the terms and conditions of the contract and does not remedy it or takes effective steps to remedy it within 7 days even after a notice in writing is given in that behalf by the Engineer-in-Charge; or Fails to complete the work(s) or items of work with individual dates of completion, on or before the date(s) so determined, and does not complete them within the period specified in the notice given in writing in that behalf by the Engineer-in-Charge. The Engineer- in-Charge without invoking action under clause 3 may, without prejudice to any other right or remedy against the contractor which have either accrued or accrue thereafter to Government, by a notice in writing to take the part work / part incomplete work of any item(s) out of his hands and shall have powers to:

(a) Take possession of the site and any materials, constructional plant, implements, stores, etc., thereon; and/or

(b) Carry out the part work / part incomplete work of any item(s) by any means at the risk and cost of the contractor.

The Engineer-in-Charge shall determine the amount, if any, is recoverable from the contractor for completion of the part work/ part incomplete work of any item(s) taken out of his hands and execute at the risk and cost of the contractor, the liability of contractor on account of loss or damage suffered by Government because of action under this clause shall not exceed 10% of the tendered value of the work.

In determining the amount, credit shall be given to the contractor with the value of work done in all respect in the same manner and at the same rate as if it had been carried out by the original contractor under the terms of his contract, the value of contractor's materials taken over and incorporated in the work and use of plant and machinery belonging to the contractor.

The certificate of the Engineer-in-Charge as to the value of work done shall be final and conclusive against the contractor provided always that action under this clause shall only be taken after giving notice in writing to the contractor. Provided also that if the expenses incurred by the department are less than the amount payable to the contractor at his agreement rates, the difference shall not be payable to the contractor.

Any excess expenditure incurred or to be incurred by Government in completing the part work/ part incomplete work of any item(s) or the excess loss of damages suffered or may be suffered by Government as aforesaid after allowing such credit shall without prejudice to any other right or remedy available to Government in law or per as agreement be recovered from any money due to the contractor on any account, and if such money is insufficient, the contractor shall be called upon in writing and shall be liable to pay the same within 30 days.

If the contractor fails to pay the required sum within the aforesaid period of 30 days, the Engineer-in-Charge shall have the right to sell any or all of the contractors' unused materials, constructional plant, implements, temporary building at site etc. and adjust the proceeds of sale thereof towards the dues recoverable from the contractor under the contract and if thereafter there remains any balance outstanding, it shall be recovered in accordance with the provisions of the contract.

In the event of above course being adopted by the Engineer-in-Charge, the contractor shall have no claim to compensation for any loss sustained by him by reason of his having purchased or procured any materials or entered into any engagements or made any advance on any account or with a view to the execution of the work or the performance of the contract.

## **CLAUSE 15**

### **Suspension of Work**

(i) The contractor shall, on receipt of the order in writing of the Competent Authority, (whose decision shall be final and binding on the contractor) suspend the progress of the works or any part thereof for such time and in such manner as the Engineer-in-Charge may consider necessary so as not to cause any damage or injury to the work already done or endanger the safety thereof for any of the following reasons:

(a) on account of any default on the part of the contractor or;

(b) for proper execution of the works or part thereof for reasons other than the default of the contractor; or

(c) for safety of the works or part thereof.

The contractor shall, during such suspension, properly protect and secure the works to the extent necessary and carry out the instructions given in that behalf by the Engineer in- Charge.

(ii) If the suspension is ordered for reasons (b) and (c) in sub-para (i) above:

(a) the contractor shall be entitled to an extension of time equal to the period of every such suspension PLUS 25%, for completion of the item or group of items of work for which a separate period of completion is specified in the contract and of which the suspended work forms a part, and;

(b) If the total period of all such suspensions in respect of an item or group of items or work for which a separate period of completion is specified in the contract exceeds thirty days, the contractor shall, in addition, be entitled to such compensation as the Engineer-in- Charge may consider reasonable in respect of salaries and/or wages paid by the contractor to his employees and labour at site, remaining idle during the period of

suspension, adding thereto 2% to cover indirect expenses of the contractor provided the contractor submits his claim supported by details to the Engineer-in- Charge within fifteen days of the expiry of the period of 30 days.

(iii) If the works or part thereof is suspended on the orders of the Engineer-in-Charge for more than three months at a time, except when suspension is ordered for reason (a) in subpara

(i) above, the contractor may after receipt of such order serve a written notice on the Engineer-in-Charge requiring permission within fifteen days from receipt by the Engineer in-Charge of the said notice, to proceed with the work or part thereof in regard to which progress has been suspended and if such permission is not granted within that time, the contractor, if he intends to treat the suspension, where it affects only a part of the works as an omission of such part by owner or where it affects whole of the works, as an abandonment of the works by owner, shall within ten days of expiry of such period of 15 days give notice in writing of his intention to the Engineer-in-Charge. In the event of the contractor treating the suspension as an abandonment of the contract by owner, he shall have no claim to payment of any compensation on account of any profit or advantage which he might have derived from the execution of the work in full but which he could not derive in consequence of the abandonment. He shall, however, be entitled to such compensation, as the Engineer-in-Charge may consider reasonable, in respect of salaries and/or wages paid by him to his employees and labour at site, remaining idle in consequence adding to the total thereof 2% to cover indirect expenses of the contractor provided the contractor submits his claim supported by details to the Engineer-in-Charge within 30 days of the expiry of the period of 3 months.

#### **CLAUSE 15 A**

#### **Compensation in case of Delay of Supply of Material by owner (NOT APPLICABLE)**

#### **CLAUSE 16**

#### **Action in case Work not done as per Specifications**

All works under or in course of execution or executed in pursuance of the contract, shall at all times be open and accessible to the inspection and supervision of the Engineer-In-charge, and the contractor shall, at all times, during the usual working hours and at all other times at which reasonable notice of the visit of such officers has been given to the contractor, either himself be present to receive orders and instructions or have a responsible agent duly accredited in writing, present for that purpose. Orders given to the Contractor's agent shall be considered to have the same force as if they had been given to the contractor himself. If it shall appear to the Engineer-in-charge , that any work has been executed with unsound, imperfect, or unskillful workmanship, or with materials or articles provided by him for the execution of the work which are unsound or of a quality inferior to that contracted or otherwise not in accordance with the contract, the contractor shall, on demand in writing which shall be made within twelve months (six months in the case of work costing Rs. 10 Lac and below except road work) of the completion of the work from the Engineer-in-Charge specifying the work, materials or articles complained of notwithstanding that the same may have been passed, certified and paid for forthwith rectify, or remove and reconstruct the work so specified in whole or in part, as the case may require or as the case may be, remove the materials or articles so specified and provide other proper and suitable materials or articles at his own charge and cost. In the event of the failing to do so within a period specified by the Engineer-in- Charge in his demand aforesaid, then the contractor shall be liable to pay compensation at the same rate as under clause 2 of the contract (for non-completion of the work in time) for this default.

In such case the Engineer-in-Charge may not accept the item of work at the rates applicable under the contract but may accept such items at reduced rates as the authority specified in schedule 'F' may consider reasonable during the preparation of on account bills or final bill if the item is so acceptable without detriment to the safety and utility of the item and the structure or he may reject the work outright without any payment and/or get it and other connected and incidental items rectified, or removed and re-executed at the risk and cost of the contractor. Decision of the Competent Authority to be conveyed in writing in respect of the same will be final and binding on the contractor.

## CLAUSE 17

### **Contractor Liable for Damages, defects during defect liability period**

If the contractor or his working people or servants shall break, deface, injure or destroy any part of building in which they may be working, or any building, road, road kerb, fence, enclosure, water pipe, cables, drains, electric or telephone post or wires, trees, grass or grassland, or cultivated ground contiguous to the premises on which the work or any part is being executed, or if any damage shall happen to the work while in progress, from any cause whatever or if any defect, shrinkage or other faults appear in the work within twelve months (six months in the case of work costing Rs. Ten lacs and below except road work) after a certificate final or otherwise of its completion shall have been given by the Engineer in-Charge as aforesaid arising out of defect or improper materials or workmanship the contractor shall upon receipt of a notice in writing on that behalf make the same good at his own expense or in default the Engineer-in-Charge cause the same to be made good by other workmen and deduct the expense from any sums that may be due or at any time thereafter may become due to the contractor, or from his security deposit or the proceeds of sale thereof or of a sufficient portion thereof. The security deposit of the contractor shall not be refunded before the expiry of twelve months (six months in the case of work costing Rs. Ten lacs and below except road work) after the issue of the certificate final or otherwise, of completion of work, or till the final bill has been prepared and passed whichever is later. Provided that in the case of road work, if in the opinion of the Engineer-in-Charge, half of the security deposit is sufficient, to meet all liabilities of the contractor under this contract, half of the security deposit will be refundable after six months and the remaining half after twelve months of the issue of the said certificate of completion or till the final bill has been prepared and passed whichever is later.

The Warranty/Defect Liability period after the completion of works will be **36 months (from the date of completion recorded or handing over of the work, whichever is later)**. In addition to this, extended warranty, if any for items as given by the manufacturer will also be applicable. Warranty will be inclusive of all accessories and it will also cover all wearable & non-wearable components. Replacement and repair will be under taken for the defective goods.

Upon receipt of notice during the warranty/Defect liability period, the Contractor shall, within 48 hours on a 24(hrs) X 365 (days) basis respond to take action and to repair or replace the defective goods or parts thereof, free of cost, at the ultimate destination. The Supplier/Contractor shall take over the replaced parts/goods after providing their replacements and no claim, whatsoever shall lie on the Owner/Institute for such replaced parts/goods thereafter. The penalty clause for non-rectification will be applicable as per tender conditions.

If the Contractor, having been notified, fails to respond to take action to repair or replace the defect(s) within 48 hours on a 24(hrs) X 365 (days) basis, the Owner may proceed to take such remedial action(s) as deemed fit by the Owner, at the risk and expense of the Contractor and without prejudice to other contractual rights and remedies, which the Owner may have against the Contractor.

## CLAUSE 18

### **Contractor to Supply Tools & Plants etc.**

The contractor shall provide at his own cost all materials (except such special materials, if any, as may in accordance with the contract be supplied from the Engineer-in-Charge's stores), machinery, tools & plants as specified in schedule F. In addition to this, appliances, implements, other plants, ladders, cordage, tackle, scaffolding and temporary works required for the proper execution of the work, whether original, altered or substituted and whether included in the specifications or other documents forming part of the contract or referred to in these conditions or not, or which may be necessary for the purpose of satisfying or complying with the requirements of the Engineer-in-Charge as to any matter as to which under these conditions he is entitled to be satisfied, or which he is entitled to require together with carriage therefore to and from the work. The contractor shall also supply without charge the requisite number of persons with the means and materials, necessary for the purpose of setting out works, and counting, weighing and assisting the measurement for



examination at any time and from time to time of the work or materials. Failing his so doing, the same may be provided by the Engineer-in-Charge at the expense of the contractor and the expenses may be deducted, from any money due to the contractor, under this contract or otherwise and/or from his security deposit or the proceeds of sale thereof, or of a sufficient portion thereof.

## **CLAUSE 19**

### **Labour Laws to be complied by the Contractor**

The contractor shall obtain a valid licence under the Contract Labour (R&A) Act, 1970, and the Contract Labour (Regulation and Abolition) Central Rules, 1971, before the commencement of the work, and continue to have a valid license until the completion of the work, if required as per labour law. The contractor shall also abide by the provisions of the Child Labour (Prohibition and Regulation) Act, 1986.

The contractor shall also comply with the provisions of the building and other Construction Workers (Regulation of Employment & Conditions of Service) Act, 1996 and the building and other Construction Workers Welfare Cess Act, 1996. Any failure to fulfil these requirements shall attract the penal provisions of this contract arising out of the resultant non-execution of the work.

## **CLAUSE 19A**

No labour below the age of fourteen years shall be employed on the work.

## **CLAUSE 19 B**

### **Payment of wages:**

(i) The contractor shall pay to labour employed by him either directly or through subcontractors, wages not less than fair wages as defined in the C.P.W.D Labour Regulations or as per the provisions of the Contract Labour (Regulation and Abolition) Act, 1970 and the contract Labour (Regulation and Abolition) Central Rules, 1971, wherever applicable.

(ii) The contractor shall, notwithstanding the provisions of any contract to the contrary, cause to be paid fair wage to labour indirectly engaged on the work, including any labour engaged by his sub-contractors in connection with the said work, as if the labour had been immediately employed by him.

(iii) In respect of all labour directly or indirectly employed in the works for performance of the contractor's part of this contract, the contractor shall comply with or cause to be complied with the Central Public Works Department contractor's Labour Regulations made by Government from time to time in regard to payment of wages, wage period, deductions from wages recovery of wages not paid and deductions unauthorized made, maintenance of wage books or wage slips, publication of scale of wages and other terms of employment, inspection and submission of periodical returns and all other matters of the like nature or as per the provisions of the Contract Labour (Regulation and Abolition) Act, 1970, and the Contract Labour (Regulation and Abolition) Central Rules, 1971, wherever applicable.

(iv) (a) The Engineer-in-Charge concerned shall have the right to deduct from the moneys due to the contractor any sum required or estimated to be required for making good the loss suffered by a worker or workers by reason of non-fulfilment of the conditions of the contract for the benefit of the workers, non-payment of wages or of deductions made from his or their wages which are not justified by their terms of the contract or non-observance of the Regulations.

(b) Under the provision of Minimum Wages (Central) Rules, 1950, the contractor is bound to allow to the labours directly or indirectly employed in the works one day rest for 6 days continuous work and pay wages at the same rate as for duty. In the event of default, the Engineer-in-Charge shall have the right to deduct the sum or sums not paid on account of wages for weekly holidays to any labours and pay the same to the persons entitled thereto from any money due to the contractor by the Engineer-in-Charge concerned.

(v) The contractor shall comply with the provisions of the Payment of Wages Act, 1936, Minimum Wages Act, 1948, Employees Liability Act, 1938, Workmen's Compensation Act, 1923, Industrial Disputes Act, 1947, Maternity Benefits Act, 1961, and the Contractor's Labour (Regulation and Abolition) Act 1970, or the modifications thereof or any other laws relating thereto and the rules made thereunder from time to time.

(vi) The contractor shall indemnify CIAB against payments to be made under and for the observance of the laws aforesaid and any other law, Labour Regulations without prejudice to his right to claim indemnity from his sub-contractors.

(vii) The laws aforesaid shall be deemed to be a part of this contract and any breach thereof shall be deemed to be a breach of this contract.

(viii) Whatever is the minimum wage for the time being, or if the wage payable is higher than such wage, such wage shall be paid by the contractor to the workmen directly without the intervention of Jamadar and that Jamadar shall not be entitled to deduct or recover any amount from the minimum wage payable to the workmen as and by way of commission or otherwise.

(ix) The contractor shall ensure that no amount by way of commission or otherwise is deducted or recovered by the Jamadar from the wage of workmen.

#### **CLAUSE 19C**

In respect of all labour directly or indirectly employed in the work for the performance of the contractor's part of this contract, the contractor shall at his own expense arrange for the safety provisions as per C.P.W.D. Safety Code framed from time to time and shall at his own expense provide for all facilities in connection therewith. In case the contractor fails to make arrangement and provide necessary facilities as aforesaid, he shall be liable to pay a penalty of Rs.200/- for each default and in addition, the Engineer-in- Charge shall be at liberty to make arrangement and provide facilities as aforesaid and recover the costs incurred in that behalf from the contractor.

#### **CLAUSE 19 D**

The contractor(s) shall at his/their own cost provide his/their labour with a sufficient number of huts (hereinafter referred to as the camp) of the following specifications on a suitable plot of land (**arranged by contractor outside campus at his/her cost**): -

(i) (a) The minimum height of each hut at the eaves level shall be 2.10m (7 ft.) and the floor area to be provided will be at the rate of 2.7 sq.m. (30 sq.ft.) for each member of the worker's family staying with the labourer.

(b) The contractor(s) shall in addition construct suitable cooking places having a minimum area of 1.80m x 1.50m (6'x5') adjacent to the hut for each family.

(c) The contractor(s) shall also construct temporary latrines and urinals for the use of the labourers each on the scale of not less than four per each one hundred of the total strength, separate latrines and urinals being provided for women.

(d) The contractor(s) shall construct sufficient number of bathing and washing places, one unit for every 25 persons residing in the camp. These bathing and washing places shall be suitably screened.

(ii) (a) All the huts shall have walls of sun-dried or burnt-bricks laid in mud mortar or other suitable local materials as may be approved by the Engineer-in-Charge. In case of sun-dried bricks, the walls should be plastered with mud gobi on both sides. The floor may be kutcha but plastered with mud gobi and shall be at least 15 cm (6") above the surrounding ground. The roofs shall be laid with thatch or any other materials as may be approved by the Engineer-in-Charge and the contractor shall ensure that throughout the period of their occupation, the roofs remain water-tight.

(b) The contractor(s) shall provide each hut with proper ventilation.

(c) All doors, windows, and ventilators shall be provided with suitable leaves for security purposes.

(d) There shall be kept an open space of at least 7.2m (8 yards) between the rows of huts which may be reduced to 6m (20 ft.) according to the availability of site with the approval of the Engineer-in-Charge. Back to back construction will be allowed.

(iii) **Water Supply** - The contractor(s) shall provide adequate supply of water for the use of labourers. The provisions shall not be less than two gallons of pure and wholesome water per head per day for drinking purposes and three gallons of clean water per head per day for bathing and washing purposes. Where piped water supply is available, supply shall be at stand posts and where the supply is from wells or river, tanks which may be of metal or masonry, shall be provided. The contractor(s) shall also at his/ their own cost make arrangements for laying pipe lines for water supply to his/ their labour camp from the existing mains wherever available and shall pay all fees and charges therefore.

(iv) The site selected for the camp shall be high ground, removed from jungle.

(v) **Disposal of Excreta** - The contractor(s) shall make necessary arrangements for the disposal of excreta from the latrines by trenching or incineration which shall be according to the requirements laid down by the Local Health Authorities. If trenching or incineration is not allowed, the contractor(s) shall make arrangements for the removal of the excreta through the Municipal Committee/authority and inform it about the number of labourers employed so that arrangements may be made by such Committee/authority for the removal of the excreta. All charges on this account shall be borne by the contractor and paid direct by him to the Municipality/authority. The contractor shall provide one sweeper for every eight seats in case of dry system.

(vi) **Drainage** - The contractor(s) shall provide efficient arrangements for draining away sullage water so as to keep the camp neat and tidy.

(vii) The contractor(s) shall make necessary arrangements for keeping the camp area sufficiently lighted to avoid accidents to the workers.

(viii) **Sanitation** - The contractor(s) shall make arrangements for conservancy and sanitation in the labour camps according to the rules of the Local Public Health and Medical Authorities.

## **CLAUSE 19 D**

### **Contribution of EPF and ESI**

The ESI and EPF contributions on the part of employer in respect of this contract shall be paid by the contractor. All the workers deployed by contractor or sub-contractor should be enrolled as members of provident fund and upon award of work, contractor shall provide the list of the workers deployed along with their universal account numbers.

While submission of bills, contractor shall give certificate/undertaking that all the workers deployed by him directly or indirectly are registered for EPF and due contributions have been credited in to their account.

## **CLAUSE 20**

### **Minimum Wages Act to be complied with**

The contractor shall comply with all the provisions of the Minimum Wages Act, 1948, and Contract Labour (Regulation and Abolition) Act, 1970, amended from time to time and rules framed thereunder and other labour laws affecting contract labour that may be brought into force from time to time.

## **CLAUSE 21**

### **Work not to be sublet. Action in case of insolvency**

The contract shall not be assigned or sublet without the written approval of the Engineer-in - Charge. And if the contractor shall assign or sublet his contract, or attempt to do so, or become insolvent or commence any insolvency proceedings or make any composition with his creditors or attempt to do so, or if any bribe, gratuity, gift, loan, perquisite, reward or advantage pecuniary or otherwise, shall either directly or indirectly, be given, promised or offered by the contractor, or any of his servants or agent to any public officer or person in the employ of Government in any way relating to his office or employment, or if any such officer or person shall become in any way directly or indirectly interested in the contract, the Engineer in- Charge on behalf of the President of India shall have power to adopt the course specified in

Clause 3 hereof in the interest of Government and in the event of such course being adopted, the consequences specified in the said Clause 3 shall ensue.

## **CLAUSE 22**

All sums payable by way of compensation under any of these conditions shall be considered as reasonable compensation to be applied to the use of Government without reference to the actual loss or damage sustained and whether or not any damage shall have been sustained.

## **CLAUSE 23**

### **Changes in firm's Constitution to be intimated**

Where the contractor is a partnership firm, the previous approval in writing of the Engineer in-Charge shall be obtained before any change is made in the constitution of the firm. Where the contractor is an individual or a Hindu undivided family business concern, such approval as aforesaid shall likewise be obtained before the contractor enters into any partnership agreement where under the partnership firm would have the right to carry out the works hereby undertaken by the contractor. If previous approval as aforesaid is not obtained, the contract shall be deemed to have been assigned in contravention of Clause 21 hereof and the same action may be taken, and the same consequences shall ensue as provided in the said Clause 21.

## **CLAUSE 24**

All works to be executed under the contract shall be executed under the direction and subject to the approval in all respects of the Engineer-in-Charge who shall be entitled to direct at what point or points and in what manner they are to be commenced, and from time to time carried on.

## **CLAUSE 25**

### **Settlement of Disputes & Arbitration**

Except where otherwise provided in the contract, all questions and disputes relating to the meaning of the specifications, design, drawings and instructions here -in before mentioned and as to the quality of workmanship or materials used on the work or as to any other question, claim, right, matter or thing whatsoever in any way arising out of or relating to the contract, designs, drawings, specifications, estimates, instructions, orders or these conditions or otherwise concerning the works or the execution or failure to execute the same whether arising during the progress of the work or after the cancellation, termination, completion or abandonment thereof shall be dealt with as mentioned hereinafter:

(i) If the contractor considers any work demanded of him to be outside the requirements of the contract, or disputes any drawings, record or decision given in writing by the owner on any matter in connection with or arising out of the contract or carrying out of the work, to be unacceptable, the contractor

may file for arbitration. The arbitrator shall be appointed by Competent Authority, CIAB & arbitration shall take place at Mohali under arbitration act.

ii) The arbitration shall be conducted in accordance with the provisions of the Arbitration and Conciliation Act, 1996 (26 of 1996) or any statutory modifications or re-enactment thereof and the rules made there under and for the time being in force shall apply to the arbitration proceeding under this clause.

iii) It is also a term of the contract that if any fees are payable to the arbitrator, these shall be paid equally by both the parties.

## **CLAUSE 26**

### **Contractor to indemnify owner against Patent Rights**

The contractor shall fully indemnify and keep indemnified the owner against any action, claim or proceeding relating to infringement or use of any patent or design or any alleged patent or design rights and shall pay any royalties which may be payable in respect of any article or part thereof included in the contract. In the event of any claims made under or action brought against owner in respect of any such matters as aforesaid, the contractor shall be immediately notified thereof and the contractor shall be at liberty, at his own expense, to settle any dispute or to conduct any litigation that may arise therefrom, provided that the contractor shall not be liable to indemnify the owner if the infringement of the patent or design or any alleged patent or design right is the direct result of an order passed by the Engineer-in-Charge in this behalf.

## **CLAUSE 27**

### **Lumpsum Provisions in Tender**

When the estimate on which a tender is made includes lump sum in respect of parts of the work, the contractor shall be entitled to payment in respect of the items of work involved or the part of the work in question at the same rates as are payable under this contract for such items, or if the part of the work in question is not, in the opinion of the Engineer-in-Charge payable of measurement, the Engineer-in-Charge may at his discretion pay the lump -sum amount entered in the estimate, and the certificate in writing of the Engineer-in-Charge shall be final and conclusive against the contractor with regard to any sum or sums payable to him under the provisions of the clause.

## **CLAUSE 28**

### **Action where no Specifications are specified**

In the case of any class of work for which there is no such specifications, such work shall be carried out in accordance with the Bureau of Indian Standards Specifications. In case there are no such specifications in Bureau of Indian Standards, the work shall be carried out as per manufacturers' specifications, if not available then as per District Specifications. In case there are no such specifications as required above, the work shall be carried out in all respects in accordance with the instructions and requirements of the Engineer-in-Charge.

## **CLAUSE 29**

### **Withholding and lien in respect of sum due from contractor**

(i) Whenever any claim or claims for payment of a sum of money arises out of or under the contract or against the contractor, the Engineer-in-Charge or the owner shall be entitled to withhold and also have a lien to retain such sum or sums in whole or in part from the security, if any deposited by the contractor and for the purpose aforesaid, the Engineer in- Charge or the owner shall be entitled to withhold the security deposit, if any, furnished as the case may be and also have a lien over the same pending finalisation or adjudication of any such claim. In the event of the security being insufficient to cover the claimed amount or amounts or if no security has been taken from the contractor, the Engineer-in-Charge or the owner shall be entitled to withhold and have a lien to retain to the extent of such claimed amount or amounts referred to above, from any sum or sums found payable or which may at any time thereafter become payable to the contractor under the same contract or any

other contract with the Engineer-in-Charge of the owner or any contracting person through the Engineer-in-Charge pending finalization of adjudication of any such claim. It is an agreed term of the contract that the sum of money or moneys so withheld or retained under the lien referred to above by the Engineer-in-Charge or owner will be kept withheld or retained as such by the Engineer-in-Charge or owner till the claim arising out of or under the contract is determined by the arbitrator (if the contract is governed by the arbitration clause) by the competent court, as the case may be and that the contractor will have no claim for interest or damages whatsoever on any account in respect of such withholding or retention under the lien referred to above and duly notified as such to the contractor. For the purpose of this clause, where the contractor is a partnership firm or a limited company, the Engineer-in-Charge or the owner shall be entitled to withhold and also have a lien to retain towards such claimed amount or amounts in whole or in part from any sum found payable to any partner/limited company as the case may be, whether in his individual capacity or otherwise.

(ii) owner shall have the right to cause an audit and technical examination of the works and the final bills of the contractor including all supporting vouchers, abstract, etc., to be made after payment of the final bill and if as a result of such audit and technical examination any sum is found to have been overpaid in respect of any work done by the contractor under the contract or any work claimed to have been done by him under the contract and found not to have been executed, the contractor shall be liable to refund the amount of over-payment and it shall be lawful for owner to recover the same from him in the manner prescribed in sub-clause (i) of this clause or in any other manner legally permissible; and if it is found that the contractor was paid less than what was due to him under the contract in respect of any work executed by him under it, the amount of such under payment shall be duly paid by owner to the contractor, without any interest thereon whatsoever.

#### **CLAUSE 30**

##### **Employment of coal mining or controlled area labour not permissible (Not Applicable)**

#### **CLAUSE 31**

##### **Unfiltered water supply**

The contractor(s) shall make his/their own arrangements for water required for the work and nothing extra will be paid for the same. This will be subject to the following conditions.

(i) That the water used by the contractor(s) shall be fit for construction purposes to the satisfaction of the Engineer-in-Charge.

(ii) The Engineer-in-Charge shall make alternative arrangements for supply of water at the risk and cost of contractor(s) if the arrangements made by the contractor(s) for procurement of water are in the opinion of the Engineer-in-Charge, unsatisfactory.

#### **CLAUSE 32**

##### **Alternate water arrangements (Not Applicable)**

#### **CLAUSE 33**

##### **Return of Surplus materials (Not Applicable)**

#### **CLAUSE 34**

##### **Hire of Plant & Machinery**

The contractor shall arrange at his own expense all tools, plant, machinery and equipment (hereinafter referred to as T&P) required for execution of the work.

#### **CLAUSE 35**

##### **Condition relating to use of asphaltic materials (Not Applicable)**

**CLAUSE 36**

**Employment of Technical Staff and employees**

Contractors Superintendence, Supervision, And Technical Staff & Employees: -

The contractor shall provide all necessary superintendence during execution of the work and all along thereafter as may be necessary for proper fulfilling of the obligations under the contract.

S N	Qualification of Technical Staff	Number	Minimum experience in years	Designation
1	Graduate Engineer or Diploma Holder in Civil Engineering	1	05 years	Technical Representative

In case contractor fails to depute the technical representative at site rate of recovery shall be imposed as per provisions in CPWD manual 2019 as amended/revised by CPWD from time to time.

**CLAUSE 37**

**Levy/Taxes payable by Contractor**

All the taxes including Goods and Service Tax of any other implemented in future etc shall be paid by contractor. Building and other Construction Workers Welfare Cess, income tax or any other tax or Cess as amended from time to time in respect of this contract shall be deducted at source by owner & submitted to concerned authority. The taxes are deemed to be included in the quote by bidder. Certificate shall be provided for same. Bidder to check with concerned authorities regarding levy of such charges at Mohali before quoting bid at his/her own. No claim whatsoever shall be entertained after submission of bid.

(ii) The contractor shall pay the royalty etc for supply of the red bajri, stone, kankar, etc., if any applicable and shall indemnify CIAB from any dispute arising out of same. Indemnity bond as per format prescribed in tender document shall be signed by contractor.

**CLAUSE 38**

**Conditions for reimbursement of levy/taxes if levied after receipt of tenders (Not Applicable)**

**CLAUSE 39**

**Termination of Contract on death of contractor**

Without prejudice to any of the rights or remedies under this contract, if the contractor dies, the Engineer-In-charge on behalf of the Chief Executive Officer, CIAB shall have the option of terminating the contract without compensation to the contractor.

**CLAUSE 40**

**If relative working in department then the contractor not allowed to tender**

The contractor shall not be permitted to tender for works if officials responsible for award and execution of contracts. He shall also intimate the names of persons who are working with him in any capacity or are subsequently employed by him and who are near relatives to any Officer in CIAB. Any breach of this condition by the contractor would render him debarred from tendering.

*NOTE: By the term "near relatives" is meant wife, husband, parents and grandparents, children and grandchildren, brothers and sisters, uncles, aunts and cousins and their corresponding in-laws.*

#### **CLAUSE 41**

##### **No Gazetted Engineer to work as Contractor within one year of retirement**

No engineer of gazetted rank or other gazetted officer employed in CIAB engineering division or administrative duties shall work as a contractor or employee of a contractor for a period of one year after his retirement from CIAB service without the previous permission of Competent Authority at CIAB in writing. This contract is liable to be cancelled if either the contractor or any of his employees is found at any time to be such a person who had not obtained the permission of Competent Authority at CIAB as aforesaid, before submission of the tender or engagement in the contractor's service, as the case may be.

#### **CLAUSE 42**

##### **Return of material & recovery for excess material issued. (Not Applicable)**

#### **CLAUSE 43**

##### **Compensation during warlike situations (Not Applicable)**

#### **CLAUSE 44**

##### **Apprentices Act provisions to be complied with**

The contractor shall comply with the provisions of the Apprentices Act, 1961 and the rules and orders issued thereunder from time to time. If he fails to do so, his failure will be a breach of the contract and the owner may, in his discretion, cancel the contract. The contractor shall also be liable for any pecuniary liability arising on account of any violation by him of the provisions of the said Act.



## **SAFETY CODE**

1. Suitable scaffolds should be provided for workmen for all works that cannot safely be done from the ground, or from solid construction except such short period work as can be done safely from ladders. When a ladder is used, an extra mazdoor shall be engaged for holding the ladder and if the ladder is used for carrying materials as well suitable footholds and hand-hold shall be provided on the ladder and the ladder shall be given an inclination not steeper than  $\frac{1}{4}$  to 1 ( $\frac{1}{4}$  horizontal and 1 vertical.)
2. Scaffolding of staging more than 3.6 m (12ft.) above the ground or floor, swung or suspended from an overhead support or erected with stationary support shall have a guard rail properly attached or bolted, braced and otherwise secured at least 90 cm. (3ft.) high above the floor or platform of such scaffolding or staging and extending along the entire length of the outside and ends thereof with only such opening as may be necessary for the delivery of materials. Such scaffolding or staging shall be so fastened as to prevent it from swaying from the building or structure.
3. Working platforms, gangways and stairways should be so constructed that they should not sag unduly or unequally, and if the height of the platform or the gangway or the stairway is more than 3.6 m (12ft.) above ground level or floor level, they should be closely boarded, should have adequate width and should be suitably fastened as described in (2) above.
4. Every opening in the floor of a building or in a working platform shall be provided with suitable means to prevent the fall of person or materials by providing suitable fencing or railing whose minimum height shall be 90 cm. (3ft.)
5. Safe means of access shall be provided to all working platforms and other working places. Every ladder shall be securely fixed. No portable single ladder shall be over 9m. (30ft.) in length while the width between side rails in rung ladder shall in no case be less than 29 cm. (11½") for ladder upto and including 3 m. (10 ft.) in length. For longer ladders, this width should be increased at least  $\frac{1}{4}$ " for each additional 30 cm. (1 foot) of length. Uniform step spacing of not more than 30 cm shall be kept. Adequate precautions shall be taken to prevent danger from electrical equipment. No materials on any of the sites or work shall be so stacked or placed as to cause danger or inconvenience to any person or the public. The contractor shall provide all necessary fencing and lights to protect the public from accident and shall be bound to bear the expenses of defence of every suit, action or other proceedings at law that may be brought by any person for injury sustained owing to neglect of the above precautions and to pay any damages and cost which may be awarded in any such suit; action or proceedings to any such person or which may, with the consent of the contractor, be paid to compensate any claim by any such person.
6. (a) Excavation and Trenching - All trenches 1.2 m. (4ft.) or more in depth, shall at all times be supplied with at least one ladder for each 30 m. (100 ft.) in length or fraction thereof, Ladder shall extend from bottom of the trench to at least 90 cm. (3ft.) above the surface of the ground. The side of the trenches which are 1.5 m. (5ft.) or more in depth shall be stepped back to give suitable slope or securely held by timber bracing, so as to avoid the danger of sides collapsing. The excavated materials shall not be placed within 1.5 m. (5ft.) of the edges of the trench or half of the depth of the trench whichever is more. Cutting shall be done from top to bottom. Under no circumstances, undermining or undercutting shall be done.  
(b) Safety Measures for digging bore holes:-
  - (i). If the bore well is successful, it should be safely capped to avoid caving and collapse of the bore well. The failed and the abandoned ones should be completely refilled to avoid caving and collapse;
  - (ii). During drilling, Sign boards should be erected near the site with the address of the drilling contractor and the Engineer in-charge of the work;
  - (iii). Suitable fencing should be erected around the well during the drilling and after the installation of the rig on the point of drilling, flags shall be put 50m around the point of drilling to avoid entry of people;
  - (iv). After drilling the borewell, a cement platform (0.50m x 0.50m x 1.20m) 0.60m above ground level and 0.60m below ground level should be constructed around the well casing;
  - (v). After the completion of the borewell, the contractor should cap the bore well properly by welding steel plate, cover the bore well with the drilled wet soil and fix thorny shrubs over the soil. This should be done even while repairing the pump;

(vi). After the borewell is drilled the entire site should be brought to the ground level.

7. Demolition - Before any demolition work is commenced and also during the progress of the work,

(i) All roads and open areas adjacent to the work site shall either be closed or suitably protected.

(ii) No electric cable or apparatus which is liable to be a source of danger or a cable or apparatus used by the operator shall remain electrically charged.

(iii) All practical steps shall be taken to prevent danger to persons employed from risk of fire or explosion or flooding. No floor, roof or other part of the building shall be so overloaded with debris or materials as to render it unsafe.

8. All necessary personal safety equipment as considered adequate by the Engineer-in-Charge should be kept available for the use of the person employed on the site and maintained in a condition suitable for immediate use, and the contractor should take adequate steps to ensure proper use of equipment by those concerned:-The following safety equipment shall invariably be provided.

(i) Workers employed on mixing asphaltic materials, cement and lime mortars shall be provided with protective footwear and protective goggles.

(ii) Those engaged in white washing and mixing or stacking of cement bags or any material which is injurious to the eyes, shall be provided with protective goggles.

(iii) Those engaged in welding works shall be provided with welder's protective eye shields.

(iv) Stone breaker shall be provided with protective goggles and protective clothing and seated at sufficiently safe intervals.

(v) When workers are employed in sewers and manholes, which are in active use, the contractors shall ensure that the manhole covers are opened and ventilated atleast for an hour before the workers are allowed to get into the manholes, and the manholes so opened shall be cordoned off with suitable railing and provided with warning signals or boards to prevent accident to the public. In addition, the contractor shall ensure that the following safety measure are adhered to :-

(a) Entry for workers into the line shall not be allowed except under supervision of higher officer.

(b) At least 5 to 6 manholes upstream and downstream should be kept open for at least 2 to 3 hours before any man is allowed to enter into the manhole for working inside.

(c) Before entry, presence of Toxic gases should be tested by inserting wet lead acetate paper which changes colour in the presence of such gases and gives indication of their presence.

(d) Presence of Oxygen should be verified by lowering a detector lamp into the manhole. In case, no Oxygen is found inside the sewer line, workers should be sent only with Oxygen kit.

(e) Safety belt with rope should be provided to the workers. While working inside the manholes, such rope should be handled by two men standing outside to enable him to be pulled out during emergency.

(f) The area should be barricaded or cordoned off by suitable means to avoid mishaps of any kind. Proper warning signs should be displayed for the safety of the public whenever cleaning works are undertaken during night or day.

(g) No smoking or open flames shall be allowed near the blocked manhole being cleaned.

(h) The malba obtained on account of cleaning of blocked manholes and sewer lines should be immediately removed to avoid accidents on account of slippery nature of the malba.

(i) Workers should not be allowed to work inside the manhole continuously. He should be given rest intermittently. The Engineer-in-Charge may decide the time up to which a worker may be allowed to work continuously inside the manhole.

(j) Gas masks with Oxygen Cylinder should be kept at site for use in emergency.

(k) Air-blowers should be used for flow of fresh air through the manholes. Whenever called for, portable air blowers are recommended for ventilating the manholes. The Motors for these shall be vapour proof and of totally enclosed type. Non sparking gas engines also could be used but they should be placed at least 2 metres away from the opening and on the leeward side protected from wind so that they will not be a source of friction on any inflammable gas that might be present.

(l) The workers engaged for cleaning the manholes/sewers should be properly trained before allowing to work in the manhole.

(m) The workers shall be provided with Gumboots or non sparking shoes bump helmets and gloves non sparking tools safety lights and gas masks and portable air blowers (when necessary).

They must be supplied with barrier cream for anointing the limbs before working inside the sewer lines.

(n) Workmen descending a manhole shall try each ladder stop or rung carefully before putting his full weight on it to guard against insecure fastening due to corrosion of the rung fixed to manhole well.

(o) If a man has received a physical injury, he should be brought out of the sewer immediately and adequate medical aid should be provided to him.

(p) The extent to which these precautions are to be taken depend on individual situation but the decision of the Engineer-in-Charge regarding the steps to be taken in this regard in an individual case will be final.

(vi) The Contractor shall not employ men and women below the age of 18 years on the work of painting with products containing lead in any form. Wherever men above the age of 18 are employed on the work of lead painting, the following precaution should be taken:-

(a) No paint containing lead or lead products shall be used except in the form of paste or readymade paint.

(b) Suitable face masks should be supplied for use by the workers when paint is applied in the form of spray or a surface having lead paint is dry rubbed and scrapped.

(c) Overalls shall be supplied by the contractors to the workmen and adequate facilities shall be provided to enable the working painters to wash during and on the cessation of work.

9. An additional clause (viii)(i) of Central Public Works Department Safety Code (iv) the Contractor shall not employ women and men below the age of 18 on the work of painting with product containing lead in any form, wherever men above the age of 18 are employed on the work of lead painting, the following principles must be observed for such use :

(i) White lead, sulphate of lead or product containing these pigment, shall not be used in painting operation except in the form of pastes or paint ready for use.

(ii) Measures shall be taken, wherever required in order to prevent danger arising from the application of a paint in the form of spray.

(iii) Measures shall be taken, wherever practicable, to prevent danger arising out of from dust caused by dry rubbing down and scraping.

(iv) Adequate facilities shall be provided to enable working painters to wash during and on cessation of work.

(v) Overall shall be worn by working painters during the whole of working period.

(vi) Suitable arrangement shall be made to prevent clothing put off during working hours being spoiled by painting materials.

(vii) Cases of lead poisoning and suspected lead poisoning shall be notified and shall be subsequently verified by medical officer.

(viii) Medical examination may be done further in such cases.

(ix) Instructions with regard to special hygienic precautions to be taken in the painting trade shall be distributed to working painters.

10. When the work is done near any place where there is risk of drowning, all necessary equipments should be provided and kept ready for use and all necessary steps taken for prompt rescue of any person in danger and adequate provision, should be made for prompt first aid treatment of all injuries likely to be obtained during the course of the work.

11. Use of hoisting machines and tackle including their attachments, anchorage and supports shall conform to the following standards or conditions:-

(i) (a) These shall be of good mechanical construction, sound materials and adequate strength and free from patent defects and shall be kept repaired and in good working order.

(b) Every rope used in hoisting or lowering materials or as a means of suspension shall be of durable quality and adequate strength, and free from patent defects.

(ii) Every crane driver or hoisting appliance operator, shall be properly qualified and no person under the age of 21 years should be in charge of any hoisting machine including any scaffolding winch or give signals to operator.

(iii) In case of every hoisting machine and of every chain ring hook, shackle swivel and pulley block used in hoisting or as means of suspension, the safe working load shall be ascertained by adequate means. Every hoisting machine and all gear referred to above shall be plainly marked with the safe working load. In case of a hoisting machine having a variable safe working load each safe working load and the condition under which it is applicable shall be clearly indicated. No part of any machine or any gear referred to above in this paragraph shall be loaded beyond the safe working load except for the purpose of testing.

(iv) In case of departmental machines, the safe working load shall be notified by the Electrical Engineer in-Charge. As regards contractor's machines the contractors shall notify the safe working load of the machine to the Engineer-in-Charge whenever he brings any machinery to site of work and get it verified by the Electrical Engineer concerned.

12. Motors, gearing, transmission, electric wiring and other dangerous parts of hoisting appliances should be provided with efficient safeguards. Hoisting appliances should be provided with such means as will reduce to the minimum the risk of accidental descent of the load. Adequate precautions should be taken to reduce to the minimum the risk of any part of a suspended load becoming accidentally displaced. When workers are employed on electrical installations which are already energized, insulating mats, wearing apparel, such as gloves, sleeves and boots as may be necessary should be provided. The worker should not wear any rings, watches and carry keys or other materials which are good conductors of electricity.

13. All scaffolds, ladders and other safety devices mentioned or described herein shall be maintained in safe condition and no scaffold, ladder or equipment shall be altered or removed while it is in use. Adequate washing facilities should be provided at or near places of work.

14. These safety provisions should be brought to the notice of all concerned by display on a notice board at a prominent place at work spot. The person responsible for compliance of the safety code shall be named therein by the contractor.

15. To ensure effective enforcement of the rules and regulations relating to safety precautions the arrangements made by the contractor shall be open to inspection by the Labour Officer or Engineer-in-Charge of the department or their representatives.

16. Contractor shall indemnify CIAB from the disputes arising out of loss of life to its workers, material during the whole duration of contract agreement including defect liability period.

17. Notwithstanding the above clauses from (1) to (16), there is nothing in these to exempt the contractor from the operations of any other Act or Rule in force in the Republic of India.

***Note: - The above safety precautions/provisions along with any other as may be required to execute the work shall be provided by contractor free of cost.***

# **Model Rules for the Protection of Health and Sanitary Arrangements for Workers**

## **1. APPLICATION**

These rules shall apply to all buildings and construction works in which twenty or more workers are ordinarily employed or are proposed to be employed in any day during the period during which the contract work is in progress.

## **2. DEFINITION**

Work place means a place where ten or more workers are ordinarily employed in connection with construction work on any day during the period during which the contract work is in progress.

## **3. FIRST-AID FACILITIES**

(i) At every work place, there shall be provided and maintained, so as to be easily accessible during working hours, first-aid boxes at the rate of not less than one box for 150 contract labour or part thereof ordinarily employed.

(ii) The first-aid box shall be distinctly marked with a red cross on white back ground and shall contain the following equipment: -

(a) For work places in which the number of contract labour employed does not exceed

50-Each first-aid box shall contain the following equipment's: -

1. 6 small sterilised dressings.
2. 3 medium size sterilised dressings.
3. 3 large size sterilised dressings.
4. 3 large sterilised burn dressings.
5. 1 (30 ml.) bottle containing a two per cent alcoholic solution of iodine.
6. 1 (30 ml.) bottle containing salvolatile having the dose and mode of administration indicated on the label.
7. 1 snakebite lancet.
8. 1 (30 gms.) bottle of potassium permanganate crystals.
9. 1 pair scissors.
10. 1 copy of the first-aid leaflet issued by the Director General, Factory Advice Service and Labour Institutes, Government of India.
11. 1 bottle containing 100 tablets (each of 5 gms.) of aspirin.
12. Ointment for burns.
13. A bottle of suitable surgical antiseptic solution.

**(b) For work places in which the number of contract labour exceed 50.**

Each first-aid box shall contain the following equipments.

1. 12 small sterilised dressings.
2. 6 medium size sterilised dressings.
3. 6 large size sterilised dressings.
4. 6 large size sterilised burn dressings.
5. 6 (15 gms.) packets sterilised cotton wool.
6. 1 (60 ml.) bottle containing a two per cent alcoholic solution iodine.
7. 1 (60 ml.) bottle containing salvolatile having the dose and mode of administration indicated on the label.
8. 1 roll of adhesive plaster.
9. 1 snake bite lancet.
10. 1 (30 gms.) bottle of potassium permanganate crystals.
11. 1 pair scissors.
12. 1 copy of the first-aid leaflet issued by the Director General Factory Advice Service and Labour Institutes /Government of India.
13. A bottle containing 100 tablets (each of 5 gms.) of aspirin.
14. Ointment for burns.
15. A bottle of suitable surgical antiseptic solution.

- (iii) Adequate arrangements shall be made for immediate recoupage of the equipment when necessary.
- (iv) Nothing except the prescribed contents shall be kept in the First-aid box.
- (v) The first-aid box shall be kept in charge of a responsible person who shall always be readily available during the working hours of the work place.
- (vi) A person in charge of the First-aid box shall be a person trained in First-aid treatment in the work places where the number of contract labour employed is 150 or more.
- (vii) In work places where the number of contract labour employed is 500 or more and hospital facilities are not available within easy distance from the works. First-aid posts shall be established and run by a trained compounder. The compounder shall be on duty and shall be available at all hours when the workers are at work.
- (viii) Where work places are situated in places which are not towns or cities, a suitable motor transport shall be kept readily available to carry injured person or person suddenly taken ill to the nearest hospital.

#### **4. DRINKING WATER**

- (i) In every work place, there shall be provided and maintained at suitable places, easily accessible to labour, a sufficient supply of cold water fit for drinking.
- (ii) Where drinking water is obtained from an Intermittent public water supply, each work place shall be provided with storage where such drinking water shall be stored.
- (iii) Every water supply or storage shall be at a distance of not less than 50 feet from any latrine drain or other source of pollution. Where water has to be drawn from an existing well which is within such proximity of latrine, drain or any other source of pollution, the well shall be properly chlorinated before water is drawn from it for drinking. All such wells shall be entirely closed in and be provided with a trap door which shall be dust and waterproof.
- (iv) A reliable pump shall be fitted to each covered well, the trap door shall be kept locked and opened only for cleaning or inspection which shall be done at least once a month.

#### **5. WASHING FACILITIES**

- (i) In every work place adequate and suitable facilities for washing shall be provided and maintained for the use of contract labour employed therein.
- (ii) Separate and adequate cleaning facilities shall be provided for the use of male and female workers.
- (iii) Such facilities shall be conveniently accessible and shall be kept in clean and hygienic condition.

#### **6. LATRINES AND URINALS**

- (i) Latrines shall be provided in every work place on the following scale namely :-
  - (a) Where female are employed, there shall be at least one latrine for every 25 females.
  - (b) Where males are employed, there shall be at least one latrine for every 25 males.Provided that, where the number of males or females exceeds 100, it shall be sufficient if there is one latrine for 25 males or females as the case may be upto the first 100, and one for every 50 thereafter.
- (ii) Every latrine shall be under cover and so partitioned off as to secure privacy, and shall have a proper door and fastenings.
- (iii) Construction of latrines: The inside walls shall be constructed of masonry or some suitable heat-resisting nonabsorbent materials and shall be cement washed inside and outside at least once a year, Latrines shall not be of a standard lower than borehole system.
- (iv) (a) Where workers of both sexes are employed, there shall be displayed outside each block of latrine and urinal, a notice in the language understood by the majority of the workers "For Men only" or "For Women Only" as the case may be.
  - (b) The notice shall also bear the figure of a man or of a woman, as the case may be.
- (v) There shall be at least one urinal for male workers upto 50 and one for female workers upto fifty employed at a time, provided that where the number of male or female workmen, as the case may be exceeds 500, it shall be sufficient if there is one urinal for every 50 males or females upto the first 500 and one for every 100 or part thereafter.
- (vi) (a) The latrines and urinals shall be adequately lighted and shall be maintained in a clean and sanitary condition at all times.

(b) Latrines and urinals other than those connected with a flush sewage system shall comply with the requirements of the Public Health Authorities.

(vii) Water shall be provided by means of tap or otherwise so as to be conveniently accessible in or near the latrines and urinals.

(viii) Disposal of excreta :- Unless otherwise arranged for by the local sanitary authority, arrangements for proper disposal of excreta by incineration at the work place shall be made by means of a suitable incinerator. Alternately excreta may be disposed of by putting a layer of night soil at the bottom of a pucca tank prepared for the purpose and covering it with a 15 cm. layer of waste or refuse and then covering it with a layer of earth for a fortnight (when it will turn to manure).

***Note: - The above provisions along with any other as may be required to execute the work shall be provided by contractor free of cost.***

### **LIST OF ACTS AND OMISSIONS FOR WHICH FINES CAN BE IMPOSED**

In accordance with rule 7(v) of the CPWD Contractor's Labour Regulations to be displayed prominently at the site of work both in English and local Language.

1. Willful insubordination or disobedience, whether alone or in combination with other.
2. Theft fraud or dishonesty in connection with the contractors beside a business or property of CPWD.
3. Taking or giving bribes or any illegal gratifications
4. Habitual late attendance.
5. Drunkenness lighting, riotous or disorderly or indifferent behavior
6. Habitual negligence.
7. Smoking near or around the area where combustible or other materials are locked
8. Habitual indiscipline.
9. Causing damage to work in the progress or to property of the CPWD or of the contractor.
10. Sleeping on duty.
11. Malingering or slowing down work.
12. Giving of false information regarding name, age father's name, etc.
13. Habitual loss of wage cards supplied by the employers.
14. Unauthorised use of employer's property of manufacturing or making of unauthorised particles at the work place.
15. Bad workmanship in construction and maintenance by skilled workers which is not approved by the Department and for which the contractors are compelled to undertake rectifications.
16. Making false complaints and/or misleading statements.
17. Engaging on trade within the premises of the establishments.
18. Any unauthorised divulgence of business affairs of the employees.
19. Collection or canvassing for the collection of any money within the premises of an establishment unless authorised by the employer.
20. Holding meeting inside the premises without previous sanction of the employers.
21. Threatening or intimidating any workman or employer during the working hours within the premises.

## **PROFORMA OF SCHEDULES**

### **SCHEDULE 'A'**

Schedule of quantities in Vol-II.

### **SCHEDULE 'B' (NOT APPLICABLE)**

Schedule of materials to be issued to the contractor.

S.NO	DESCRIPTION OF ITEM	QUANTITY	Rates in figures & words at which the material will be charged to the contractor	Place of Issue

### **SCHEDULE 'C' (NOT APPLICABLE)**

Tools and plants to be hired to the contractor

S.NO	DESCRIPTION OF ITEM	HIRE CHARGES PER DAY	Place of Issue

### **SCHEDULE 'D' (NOT APPLICABLE)**

Extra schedule for specific requirements/document for the work, if any.

### **SCHEDULE 'E'**

Reference to General Conditions of contract. ....

Name of work: .....

Estimated cost of work: Rs. ....

(i) Earnest money: Rs. ....(to be returned after receiving performance guarantee)

(ii) Performance Guarantee: 5% of tendered value.

(iii) Security Deposit: 2.5% of tendered value.



**SCHEDULE 'F'**

**GENERAL RULES & DIRECTIONS**

Maximum percentage for quantity of items of work to be executed beyond which rates are to be determined in accordance with Clauses 12.2 & 12.3. See below

**Definitions:**

- 2(v) Engineer-in-Charge ..... **Assistant Engineer – Civil  
Chief Executive Officer,  
CIAB**
- 2(viii) Accepting Authority ..... **CIAB**
- 2(x) Percentage on cost of materials and-----  
labour to cover all overheads and profits. **15%**
- 2(xi) Standard Schedule of Rates ..... **CPWD DSR 2018 along with Market rates for Non-  
scheduled items**
- 2(xii) Department ..... **CIAB, Mohali**
- 9(ii) Standard CPWD contract Form GCC 2014,  
CPWD Form 7/ 8 as modified & corrected upto .....

**Clause 1**

- (i) Time allowed for submission of Performance Guarantee from the date of issue of letter of acceptance/award .....**07 days**
- (ii) Maximum allowable extension with late fee @ 0.1% per day of Performance Guarantee amount beyond the period

provided in (i) above .....**07 days\***

**Clause 2**

Authority for fixing compensation under clause 2. .... **Chief Executive Officer, CIAB**

**Clause 2A**

Whether Clause 2A shall be applicable ..... **No**

**Clause 5**

Number of days from the date of issue of letter of acceptance for reckoning date of start of work – **07 days**

Time allowed for execution of work. **12 weeks from 07 days from date of issue of award/acceptance letter by CIAB.**

**Authority to decide:**

- (i) Extension of time ..... **CEO, CIAB**
- (ii) Rescheduling of mile stones ..... **CEO, CIAB**
- (iii) Shifting of date of start in case of delay in handing over of site..... **Chief Executive Officer, CIAB.**

**Clause 6, 6A**

Clause applicable - (6 or 6A) ..... **6/6A**

**Clause 7**

Gross work to be done together with net payment /adjustment of advances for material collected, if any, since the last such payment for being eligible to interim payment Rs. ....

**Clause 10A**

List of testing equipment to be provided by the contractor at site lab.

- 1. .... 2. .... 3. ....
- 4. .... 5. .... 6. ....

**Clause 10B(ii)**

Whether Clause 10 B (ii) shall be applicable .....**No**

**Clause 10C**

Component of labour expressed as percent of value of work = ..... **NA**

**Clause 10CA (Not Applicable)**

**Clause 10CC (Not Applicable)**

**Clause 11**

Specifications to be followed for execution of work ..... **Technical Specifications mentioned in Vol.-II of tender document**

**Clause 12**

Type of work \* \_\_\_ **Civil work**

12.2 & 12.3 Deviation Limit beyond which clauses

12.2 & 12.3 shall apply for building work ..... **as per CPWD Works Manual 2019 with up to date amendments**

12.5 (i) Deviation Limit beyond which clauses

12.2 & 12.3 shall apply for foundation work (except items mentioned in earth work subhead in DSR and related items) ..... **as per CPWD Works Manual 2019 with up to date amendments**

(ii) Deviation Limit for items mentioned in earth

work subhead of DSR and related items ..... **as per CPWD Works Manual 2019 with up to date amendments**

**Clause 16**

Competent Authority for deciding reduced rates. .... **Chief Executive Officer, CIAB**

**Clause 18**

Machinery, materials, tools & plants to be deployed by the contractor at site for execution of respective work at required time period/intervals.t. No extra payment shall be paid to contractor for any machinery, tool & plants etc.

**Clause 36 (i)**

**Requirement of Technical Representative(s) and recovery Rate-----CPWD MANUAL 2019**

**Or**

**as amended from time to time by CPWD**

**Clause 42**

**(NOT APPLICABLE)**

## **SPECIAL CONDITIONS OF CONTRACT**

A. The contractor shall be required to submit in duplicate the following drawings & information for approval of the from the Engineer-In-charge of department before commissioning the work:

- 1) Complete layout dimensions for every unit / group of units with dimensions required for erection/execution purposes.
- 2) Any other drawing / information not specifically mentioned above but deemed to be necessary for the job by the contractor.

The above should be submitted by contractor in desired soft copy version along with colored hard copies (2 nos).

### **B. TENDER LIABLE TO REJECTION:**

Tenders which do not fulfill all or any of the conditions laid down in this notice, or contain conditions not covered and / or not contemplated by the Conditions of tender document and/or expressly prohibited therein or stipulate additional/alternative conditions shall be liable to be rejected and his earnest money will be forfeited.

Tenders shall also be liable for rejection on any of the following grounds: -

- i) Tenders submitted late
- ii) Tenders containing remarks uncalled for.
- iii) Conditional tenders
- iv) Tenders not submitted on prescribed Performa.
- v) Telegraphic tenders.
- vi) Tender submitted without EMD/Cost of Tender Documents

C. Power supply/Electricity for construction purpose shall be arranged by contractor at its own. In case, it is provided by Department, contractor shall make arrangements for suitable metering of electrical consumption along with allied installation of inventory/equipment. Contractor shall not damage any inventory of Department. Contractor shall be responsible for any accident arriving as per result of non-standard installations etc.

D. Contractor to provide all for testing:

a) The contractor shall provide and pay for all necessary tools, instruments, gadgets and testing equipment required for conducting various tests at site apart from the test certificate from the manufacturer of material. Any defects in material and / or in workmanship detected during initial testing shall be rectified by the contractor at his own cost. Testing shall be carried out in the presence of Engineer-In-Charge or his representative to his entire satisfaction. The installation shall be commissioned after approval by Engineer-In-Charge.

b) Apart from test certificate, the following tests for materials to be got done by contractor from laboratory house approved by Engineer-in-charge in case in-house mechanism is not available: -

**Civil/Public health Works: -**

i) Test certificate for manufacturing of gas pipeline, manifold, wrt BOQ specifications etc.

No extra charges shall be paid to contractor for the aforesaid testing to be done whether at site or from laboratory. Any other test on material, if felt by Engineer-in-charge shall be done by contractor without any extra payment claims.

E. **Guarantee and defect liability period:** The work covered by this contract shall be guaranteed by the contractor against faulty material and workmanship for a period of **36 months** from the date of virtual completion or date of possession, whichever is later. Any part found defective shall be replaced/repaired free of all costs by the contractor. The contractor shall guarantee that all equipment shall work satisfactorily and that the performance and efficiency of the equipment shall not be less than the specified values.

The services of the contractor's personnel if requested for short time interval (one/two days' time) during the defect liability period shall be made available free of any cost to CIAB.

F. **Maintenance:** During the guarantee & defect liability, the contractor shall provide at no extra cost necessary material and personal to carry out the repairs & routine maintenance. The contractor shall attend to all problems experienced in the operation of the system within a reasonable time but not more than 2 working days of receiving the complaint and take corrective action immediately.

In case of failure, CIAB shall have the liberty to get it done on the risk and cost of contractor & recover from security deposit.

- G. The tenderer must visit the site at CIAB, sector 81, Mohali before quoting the rates. No request shall be entertained after award of work regarding site conditions whatsoever.
- H. Contractor shall co-ordinate with other agencies for accommodation of services in false ceiling, etc free of cost.
- I. No T&P will be issued by the department.
- J. Deduction on account of Income Tax shall be made as per prevailing rate by the relevant authority from time to time.
- K. Cost of taxes, GST shall be deemed to be included in the quote by bidder.
- L. Labour cess shall be deducted and deposited to concerned authority.
- M. The Contractor shall abide to all the statutory laws, rules regulations etc. as required for the execution of work as per the local administration/govt., central govt. (as applicable). The Contractor shall have valid licenses/NOCs for carrying out the allotted work. In case of failure, contractor shall be fully responsible for all the penalties etc. and will indemnify CIAB of the same.
- N. The contractor shall abide by all the Electrical and other safety norms during the execution of work and till the completion of defect liability period.

**Note: -** The certificates for aforesaid deductions shall be issued to contractor after deposit of same to concerned authorities.

## Form of Contract

**THIS CONTRACT is made on ..... day of ..... 2019**

### **BETWEEN**

Center of Innovative & Applied Bioprocessing (CIAB) which is a society registered under the Societies Registration Act, XXI of 1860 and having its Office at Knowledge City, Sector-81, Mohali (hereinafter called Owner, which expression shall where the context so admits include its successors and permitted assigns) of the one part,

### **AND**

CONTRACTOR, having its registered office at ..... (Hereinafter referred to as CONTRACTOR) which expression shall, include its successors and permitted assigns, of the other part.

**WHEREAS OWNER** intends to have certain Services for **Provision of Centralized Gas pipeline in Lab building at Main Campus, CIAB, Knowledge City, Sector-81, Mohali.** (hereinafter referred to as PROJECT),

**AND WHEREAS** said CONTRACTOR is in the business of providing inter-alia management, construction works and possesses experience, expertise and knowledge in this regard,

**AND WHEREAS OWNER** has selected CONTRACTOR to undertake the said services hereinafter referred to and specified in this CONTRACT as “- **Provision of Centralized Gas pipeline in Lab building at Main Campus, CIAB, Knowledge City, Sector-81, Mohali** ”.

**AND WHEREAS** said CONTRACTOR agrees to perform such WORKS, SERVICES as the terms and conditions for the performance of the said WORKS, SERVICES as detailed herein.

**NOW THEREFORE**, in consideration of the premises and the covenants set forth in this CONTRACT, OWNER & CONTRACTOR mutually agree and confirm the agreement detailed herein and witnessed as follows:

### **Clause -1: CONTRACT DOCUMENT**

The following documents shall constitute the CONTRACT in addition to Form of Contract

1. Tender Document with terms & conditions, technical eligibility criteria.
2. Financial bid submitted by contractor.
3. All correspondence / Minutes of meetings/Negotiation etc. between CIAB & CONTRACTOR after the issue of NIT document till the award of work.
4. Award letter

### **Clause-2 EFFECTIVE DATE OF CONTRACT**

This CONTRACT shall be deemed to have come into force with effect from 7th day of issue of letter of Award by CIAB

**Clause-3 SERVICES TO BE PERFORMED**

CONTRACTOR shall perform the SERVICES as herein specified upon the general terms and conditions and within time frame specified in the CONTRACT.

**Clause-4 REMUNERATION AND CONTRACT PRICE**

OWNER shall, in considerations of the SERVICES performed pay to CONTRACTOR remuneration based on work done by contractor at site.

**Clause-5 CONTRACT PERIOD**

On signing by OWNER and CONTRACTOR this CONTRACT shall be deemed to have come into force from the effective date of CONTRACT i.e. from 7th day of issue of letter of award by CIAB and shall remain in force for 36 months beyond the completion of work at site. In the event of increase in the contract time period, nothing extra will be payable to CONTRACTOR beyond the quoted rates.

**Clause-6 ENTIRE CONTRACT**

The Contract documents hereof embody the entire CONTRACT between the PARTIES hereto, and the PARTIES declare that in entering this CONTRACT they do not rely upon any previous representation, whether express or implied and whether oral or written, or any inducement, understanding or agreement of any kind not included within the Contract documents, and unless herein incorporated all prior negotiations, representations, and/or agreements and understandings relating to the subject matter are hereby treated as null and void.

**Clause-7 JURISDICTION & APPLICABLE LAW**

Notwithstanding any other Court or Courts having jurisdiction to decide the question(s) forming the subject matter of the reference, any/all actions and proceeding arising out of or relative to the CONTRACT (including any arbitration in terms thereof) shall lie only in the Court of Competent Civil Jurisdiction in this behalf at Mohali and only the said Court(s) shall have jurisdiction to entertain and try any such action(s) and/or proceeding(s) to the exclusion of all other Courts. CIAB may make any byelaw(s), rules or regulation and carry out any amendment at any stage, in the rules or procedure necessary for the accomplishment of the purpose.

**The laws of India for the time being in force shall govern this CONTRACT.**

**Clause-8 NOTICES**

1. Any notice, consent, document or other communication required or permitted to be given under this contract shall be deemed to have been validly served if it is in writing and is signed by an authorized officer of the party giving the notice, and delivered or sent by registered post or by speed mail or courier to the address of the parties set out

below or such other address as may be notified as the appropriate address from time to time for the purpose of this contract.

**CIAB:** Chief Executive Officer, CIAB or his nominee  
Knowledge City, Sector-81, Mohali

**CONTRACTOR:**

.....  
.....

2. Date of notice of instruction shall be the day on which said notice or instruction is received.

3. Any PARTY may change its notice address at any time by so advising the other PARTY thereof in writing.

IN WITNESS WHEREOF the PARTIES hereto have duly executed this CONTRACT in two originals at the place, and date as follows:

**For and on behalf of  
CIAB**

**For and on behalf of  
CONTRACTOR**

Name

Name

Designation

Designation

Place

Place

Date

Date

**Witness**

**Witness**

1.

1.



## **LIST OF MAKES TO BE ADOPTED**

All material makes shall be ISI marked (make in India) & got approved from Engg-in-charge. Contractor should submit Test report for conformality of material wrt specifications mentioned in BOQ.

**FORM OF PERFORMANCE  
SECURITY (GUARANTEE)**

**Form of Performance Security (Guarantee)  
Bank Guarantee Bond**

In consideration of the Chief Executive Officer, CIAB (hereinafter called "The Institute") having offered to accept the terms and conditions of the proposed agreement between.....and

.....(hereinafter called "the said Contractor(s)") for the work..... (hereinafter called "the said agreement") having agreed to production of an irrevocable Bank Guarantee for Rs. .... (Rupees ..... only) as a security/guarantee from the Contractor(s) for compliance of his obligations in accordance with the terms and conditions in the said agreement.

1. We, ..... (hereinafter referred to as "the Bank") hereby undertake to pay to the Institute an amount not exceeding Rs. .... (Rupees..... Only) on demand by the Institute.
2. We, .....(indicate the name of the Bank) do hereby undertake to pay the amounts due and payable under this guarantee without any demure, merely on a demand from the Institute stating that the amount claimed as required to meet the recoveries due or likely to be due from the said Contractor(s). Any such demand made on the bank shall be conclusive as regards the amount due and payable by the bank under this Guarantee. However, our liability under this guarantee shall be restricted to an amount not exceeding Rs. .... (Rupees .....only)
3. We, the said bank further undertake to pay the Institute any money so demanded notwithstanding any dispute or disputes raised by the Contractor(s) in any suit or proceeding pending before any court or Tribunal relating thereto, our liability under this present being absolute and unequivocal. The payment so made by us under this bond shall be a valid discharge of our liability for payment thereunder and the Contractor(s) shall have no claim against us for making such payment.
4. We, ..... (indicate the name of the Bank) further agree that the guarantee herein contained shall remain in full force and effect during the period that would be taken for the performance of the said agreement and that it shall continue to be enforceable till all the dues of the Institute under or by virtue of the said agreement have been fully paid and its claims satisfied or discharged or till Engineer-in-Charge on behalf of the Institute certified that the terms and conditions of the said agreement have been fully and properly carried out by the said Contractor(s) and accordingly discharges this guarantee.
5. We, ..... (indicate the name of the Bank) further agree with the Institute that the Institute shall have the fullest liberty without our consent and without affecting in any manner our obligation hereunder to vary any of the terms and conditions of the said agreement or to extend time of performance by the said Contractor(s) from time to time or to postpone for any time or from time to time any of the powers exercisable by the Institute against the said Contractor(s) and to forbear or enforce any of the terms and conditions relating to the said agreement and we shall not be relieved from our liability by reason of any such variation, or extension being granted to the said Contractor(s) or for any forbearance, act of omission on the part of the Institute or any indulgence by the Institute to the said Contractor(s) or by any such matter or thing whatsoever which under the law relating to sureties would, but for this provision, have effect of so relieving us.

6. This guarantee will not be discharged due to the change in the constitution of the Bank or the Contractor(s).
  
7. We, ..... (indicate the name of the Bank) lastly undertake not to revoke this guarantee except with the previous consent of the Institute in writing.
  
8. This guarantee shall be valid up to satisfactory completion of work at site and as per successful completion of time schedule period given in tender document.....unless extended on demand by the Institute. Notwithstanding anything mentioned above, our liability against this guarantee is restricted to Rs. .... (Rupees .....) and unless a claim in writing is lodged with us within six months of the date of expiry or the extended date of expiry of this guarantee all our liabilities under this guarantee shall stand discharged.

Dated the .....day of .....for.....(indicate the name of the Bank)

**INDEMNITY BOND (A- MINOR MINERALS)  
(ON NON – JUDICIAL STAMP PAPER OF APPROPRIATE VALUE)**

**NAME OF THE WORK:** \_\_\_\_\_

Know all men by these presents that I/We \_\_\_\_\_ (Name of the Contractor with address) do hereby execute Indemnity Bond in favour of Center of Innovative & Applied Bioprocessing (CIAB) having their office at Knowledge City, Sector-81, Mohali and for the project of - **Provision of Centralized Gas pipeline in Lab building at Main Campus, CIAB, Knowledge City, Sector-81, Mohali.** under consideration.

On this \_\_\_\_\_ day of \_\_\_\_\_

This Deed witnesseth as follows

I/We \_\_\_\_\_ (Name of the Contractor) hereby do indemnity and save harmless CIAB having its office at Knowledge City, Sector-81, Mohali for the project of **Provision of Centralized Gas pipeline in Lab building at Main Campus, CIAB, Knowledge City, Sector-81, Mohali**, from any claims by the State /Central Government Department responsible for collection of royalty for minor minerals like earth, red bajri, stone, kankar etc., on non-payment of royalty as due for the minor minerals used in the execution of the contract, in terms of provisions of the relevant State/central Act and Rules made thereon.

IN WITNESS WHEREOF THE \_\_\_\_\_

HAS SET HIS/HER HANDS ON THIS DAY OF \_\_\_\_\_  
SIGNED AND DELIVERED BY THE AFORESAID  
IN THE PRESENCE OF WITNESSES

- 1) \_\_\_\_\_
- 2) \_\_\_\_\_

**INDEMNITY BOND (B- VIOLATION OF LAWS, NORMS, ACCIDENTS, DAMAGES ETC)**

**(On Non-Judicial Stamp Paper of appropriate value)**

**Name of the work \_\_\_\_\_**

KNOW all men by these presents that I/We \_\_\_\_\_ (Name of Contractor

with address) do hereby execute Indemnity Bond in favour of Center of Innovative & Applied Bioprocessing having their office at Knowledge City, Sector-81, Mohali and for the project of - **Provision of Centralized Gas pipeline in Lab building at Main Campus, CIAB, Knowledge City, Sector-81, Mohali.** Mohali under consideration.

On this day of .....2019

THIS DEED WITNESSETH AS FOLLOWS:

I/We, (Name of Contractor) hereby do indemnify and save harmless CIAB having their office at Knowledge City, Sector-81, Mohali from the following: -

1. Any third-party claims, civil or criminal complaints/liabilities/material/life loss during site mishaps and other accidents such as snake bites etc or disputes and/or damages occurring or arising out of any mishaps at the site due to faulty work, negligence, faulty construction and/or for violating any law, rules and regulations in force, for the time being while executing/executed civil works by me/us.
2. Any damages, loss or expenses due to or resulting from any negligence or breach of duty on the part of me/us or any sub-Contractor/s if any, servants or agents.
3. Any claims by an employee of mine/ours or of sub-Contractors if any, under the workman compensation act and employers' Liability act, 1939 or any other law rules and regulations in force for the time being and any acts replacing and/or amending the same or any of the same as may be in force at the time and under any law in respect of injuries to persons or property arising out of and in the course of execution of the Contract work and/or arising out of and in the course of employment of any workman/employee.
4. Any act or omission of mine/ours or sub-Contractor/s if any, our/their servants or agent which may involve any loss, damage, liability, civil or criminal action.

IN WITNESS WHEREOF THE HAS SET HIS/THEIR HANDS ON THIS DAY  
OF SIGNED AND DELIVERED BY THE AFORESAID IN THE PRESENCE OF  
WITNESSES:

- 1.
- 2.